

CROSS SECTION DRAWING

Ultra French InSwing Door, 3 Panel Fixed/Operable/Fixed

1" Nailfin Setback

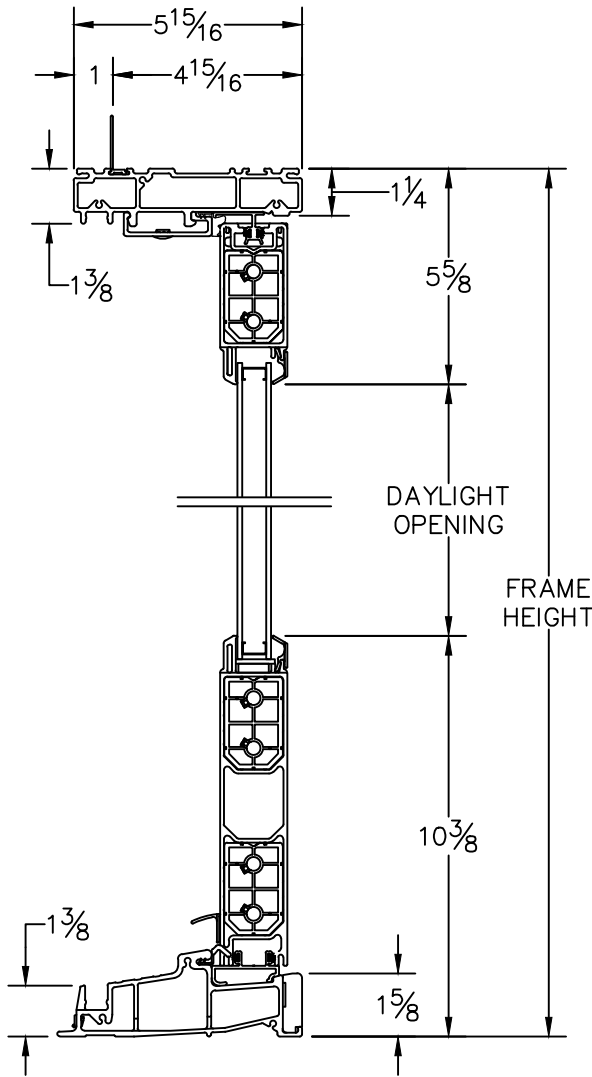


CAD FILE SCALE	CAD FILE SCALE	FILE NAME	UNITS	REVISION
NTS	HORIZONTAL & VERTICAL	Ultra_3642U_IS_OLO_1inNFS	INCH	07/2016

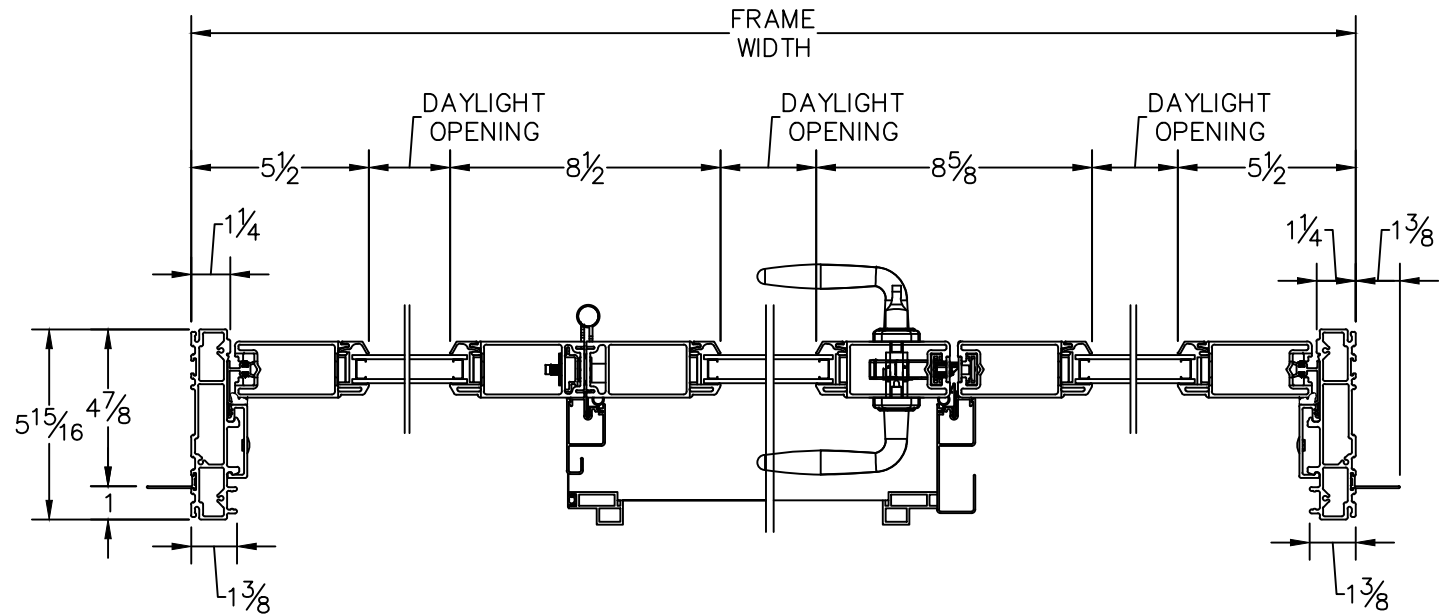
MORE TECHNICAL DOCUMENTS CAN BE FOUND AT MILGARD.COM/PROFESSIONALS

DUE TO CONTINUAL RESEARCH AND DEVELOPMENT, DETAILS MAY BE CHANGED AT ANY TIME. © 2016 MILGARD MFG.

INSWING SERIES 3642



HEAD & SILL



JAMBS