

CROSS SECTION DRAWING
Ultra French InSwing Door, 3 Panel Fixed / Fixed / Operable
1 3/8" Nailfin Setback



Clearly the best.

CAD FILE SCALE
NTS

VIEW
HORIZONTAL & VERTICAL

FILE NAME
Ultra_3642U_IS_OOR_1.375inNFS_4.563in_Frame

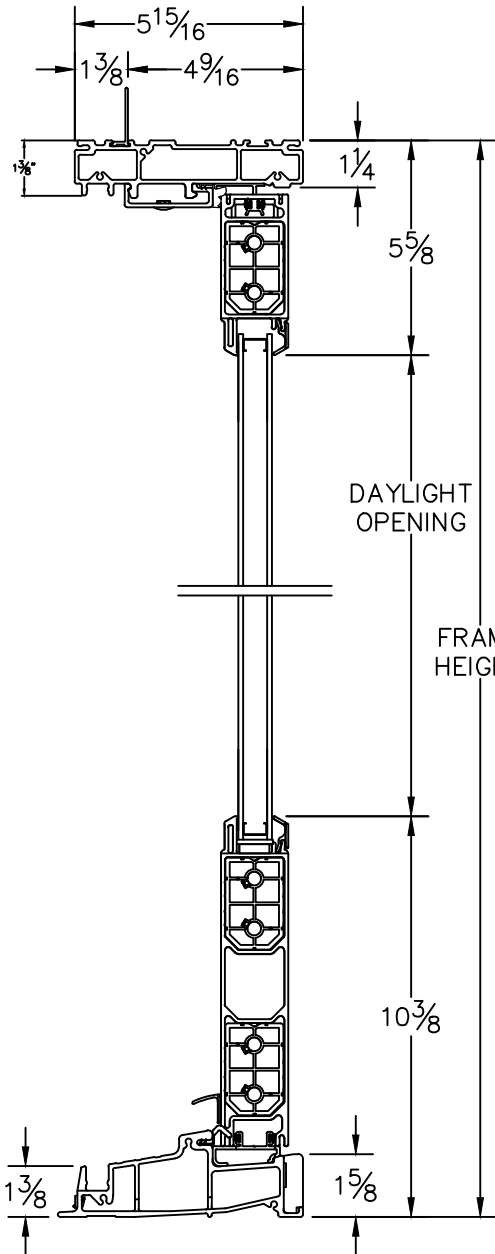
UNITS
INCH

REVISION
07/2016

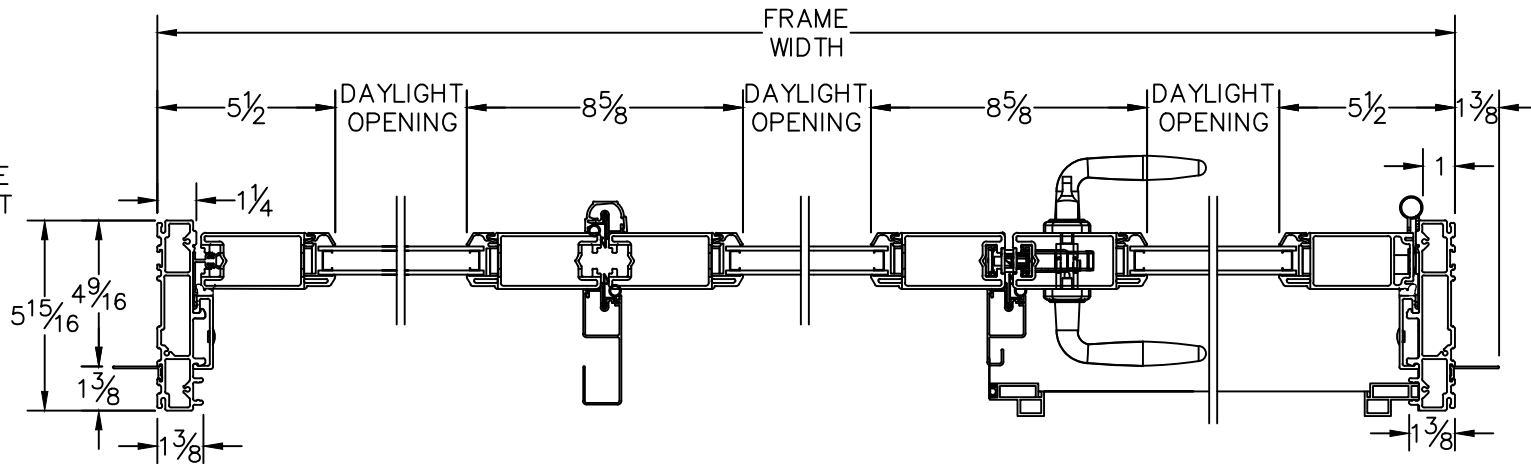
MORE TECHNICAL DOCUMENTS CAN BE FOUND AT MILGARD.COM/PROFESSIONALS

DUE TO CONTINUAL RESEARCH AND DEVELOPMENT, DETAILS MAY BE CHANGED AT ANY TIME. © 2016 MILGARD MFG.

INSWING
SERIES 3642



HEAD & SILL



JAMBS