

CROSS SECTION DRAWING
Ultra French InSwing Door, 3 Panel Fixed / Fixed / Operable
1 3/4" Contour Z Bar



Clearly the best.

CAD FILE SCALE
NTS

VIEW
HORIZONTAL & VERTICAL

FILE NAME
Ultra_3642U_IS_OOR_1.75in_z-bar

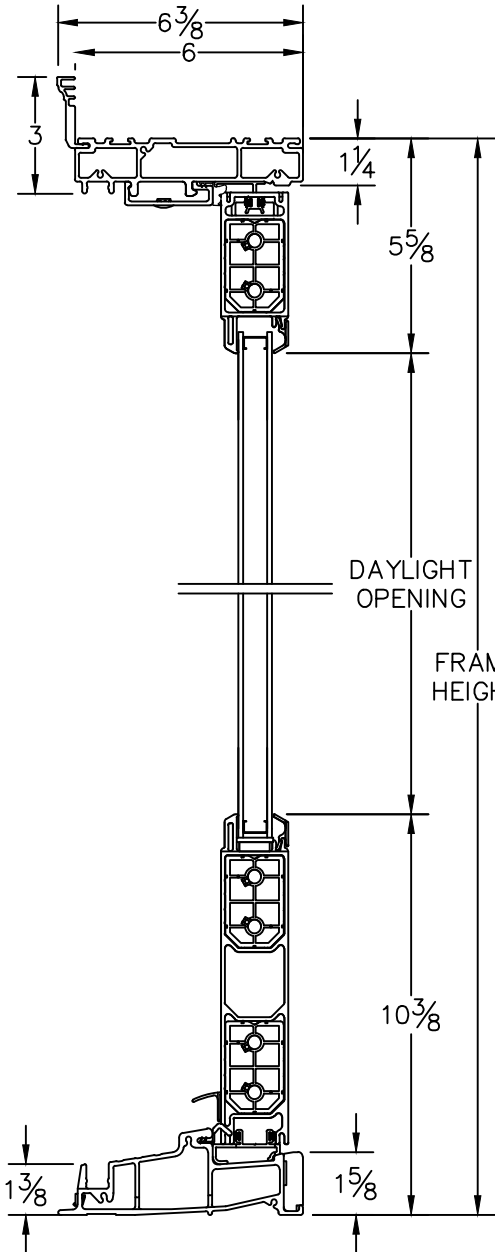
UNITS
INCH

REVISION
07/2016

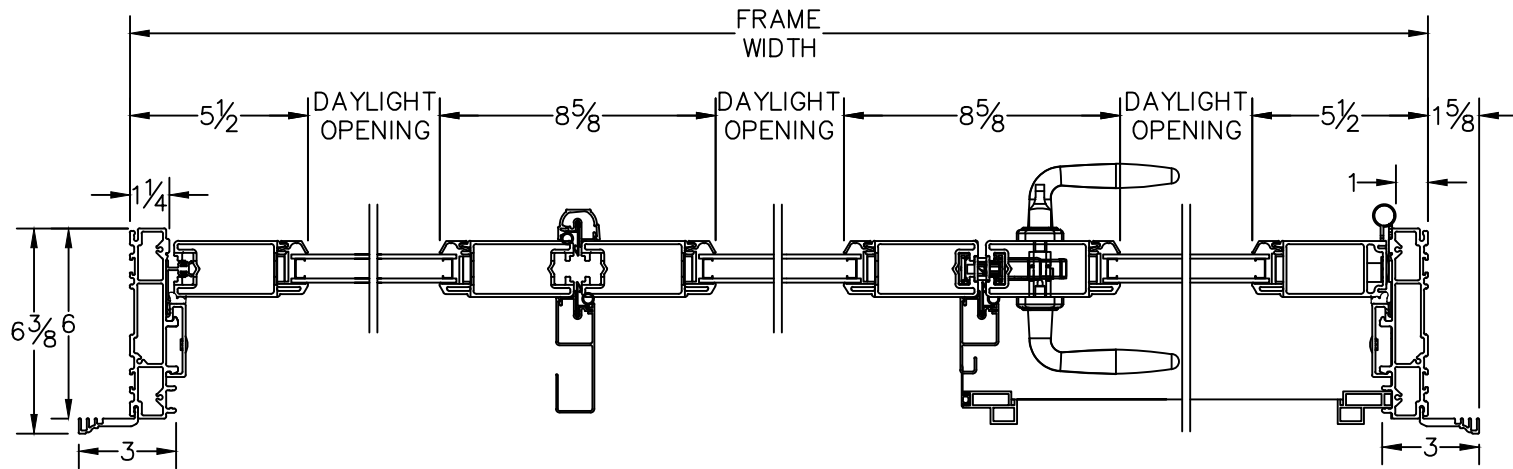
MORE TECHNICAL DOCUMENTS CAN BE FOUND AT MILGARD.COM/PROFESSIONALS

DUE TO CONTINUAL RESEARCH AND DEVELOPMENT, DETAILS MAY BE CHANGED AT ANY TIME. © 2016 MILGARD MFG.

INSWING
SERIES 3642



HEAD & SILL



JAMBS