

**CROSS SECTION DRAWING**  
**Ultra French InSwing Door, 3 Panel Fixed / Fixed / Operable**  
**2 1/4" Contour Z Bar**



*Clearly the best.*

CAD FILE SCALE  
NTS

VIEW  
HORIZONTAL & VERTICAL

FILE NAME  
Ultra\_3642U\_IS\_OOR\_2.25in\_z-bar

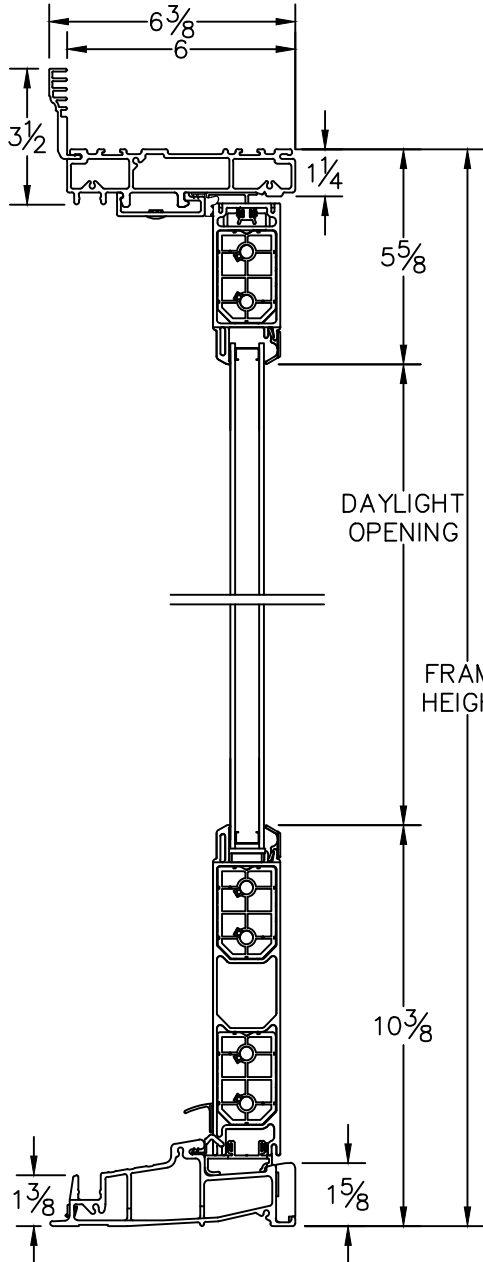
UNITS  
INCH

REVISION  
07/2016

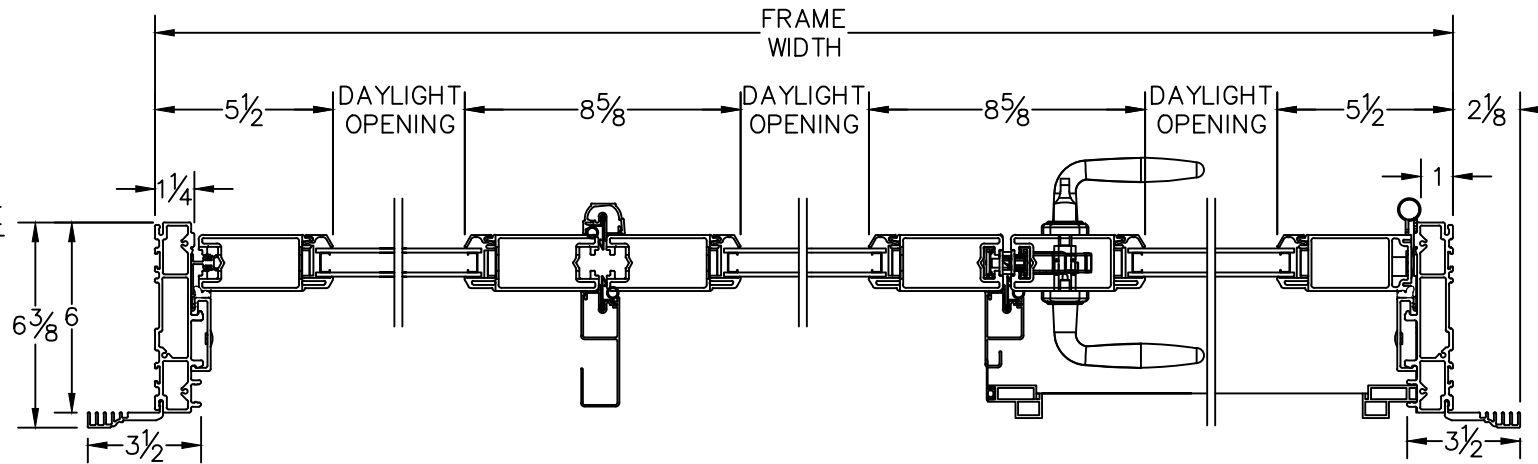
MORE TECHNICAL DOCUMENTS CAN BE FOUND AT [MILGARD.COM/PROFESSIONALS](http://MILGARD.COM/PROFESSIONALS)

DUE TO CONTINUAL RESEARCH AND DEVELOPMENT, DETAILS MAY BE CHANGED AT ANY TIME. © 2016 MILGARD MFG.

**INSWING**  
**SERIES 3642**



**HEAD & SILL**



**JAMBS**