

Cross Section Drawing

**Ultra Outswing Door w/ Direct Set Transom
1 3/8" Nailfin Set Back Frame**



Clearly the best.™

CAD File Scale
NTS

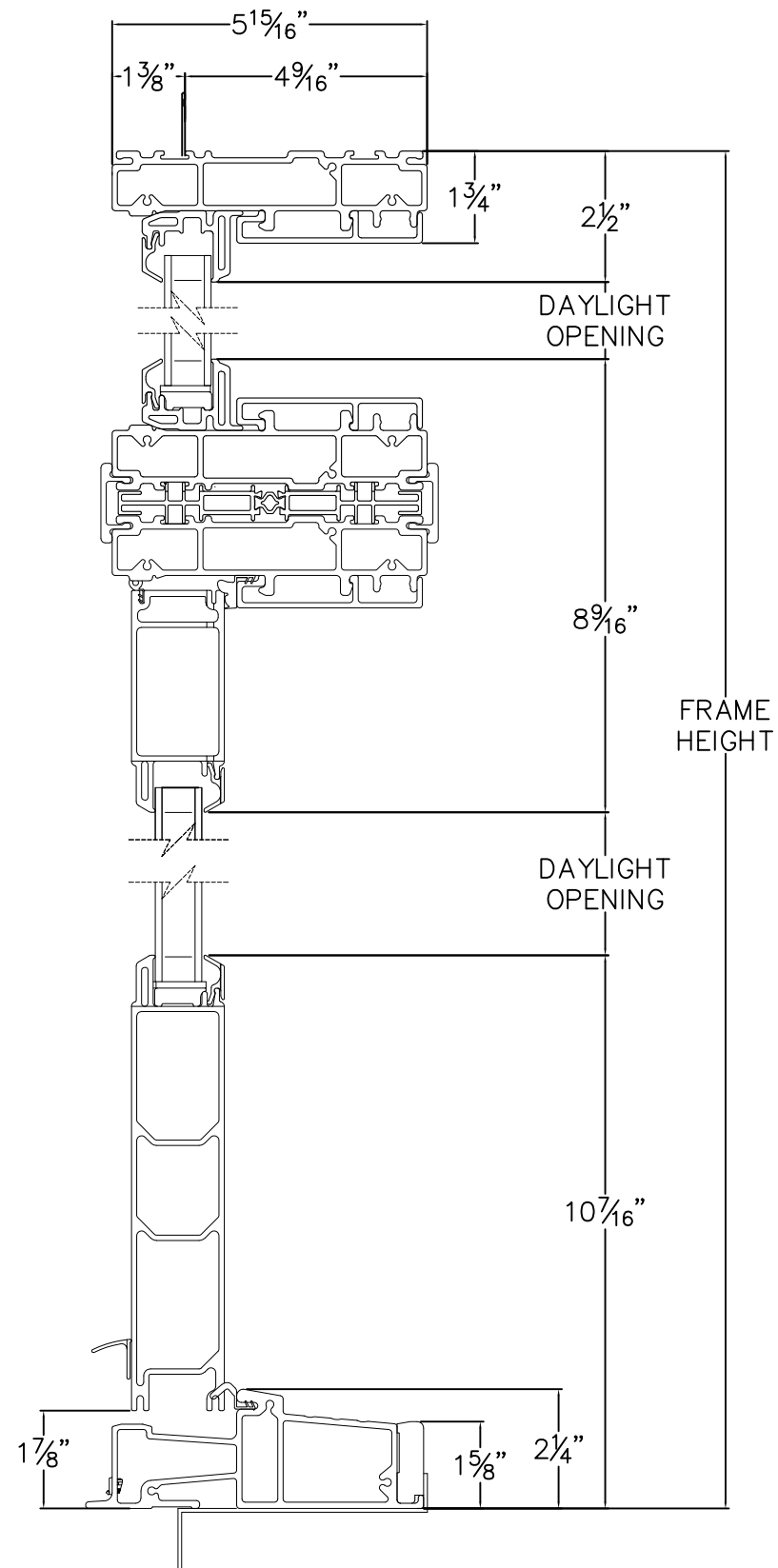
View
Horizontal & Vertical

File Name
Ultra_3645_OS_X_1.375in_DST

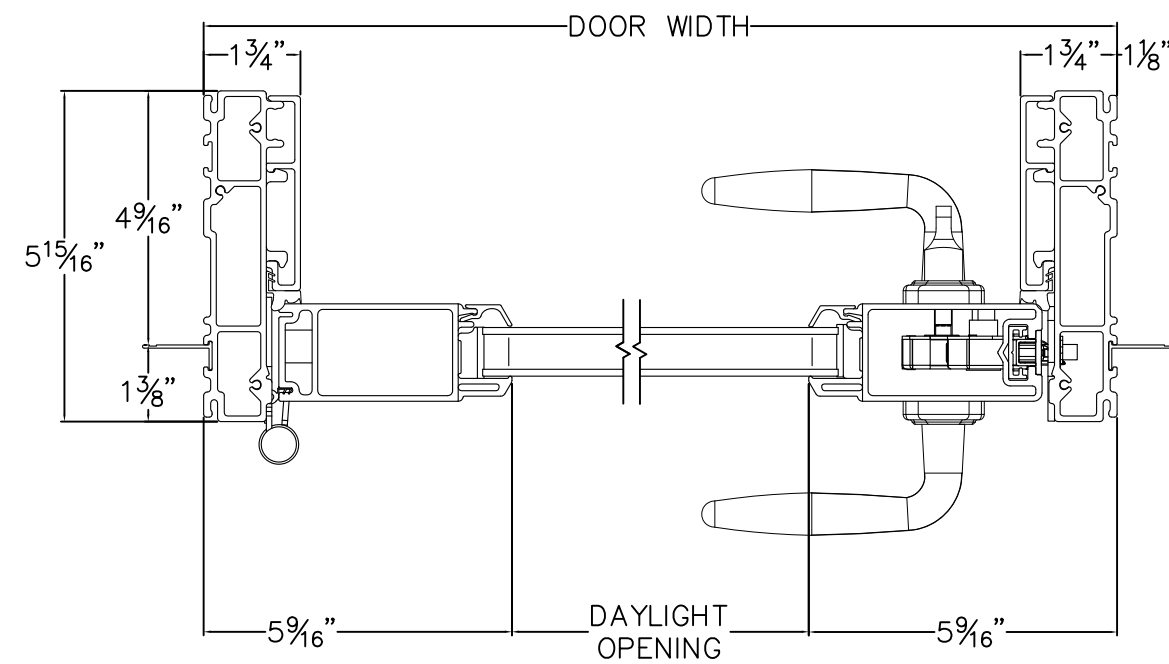
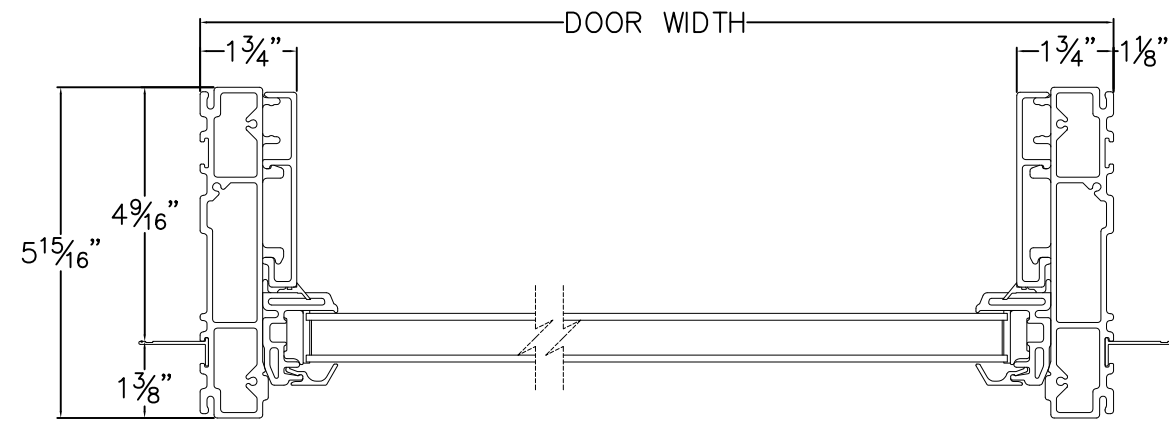
Units
Inch

More Technical Documents can be found at milgard.com/professionals
Due to continual research and development, details may be changed at any time. ©2013 Milgard Mfg.

**OUTSWING DOOR
SERIES 3645U**



HEAD & SILL



JAMBS