

Cross Section Drawing

Ultra French OutSwing Door, Single Panel Block Frame

CAD File Scale
NTS

View
Horizontal & Vertical

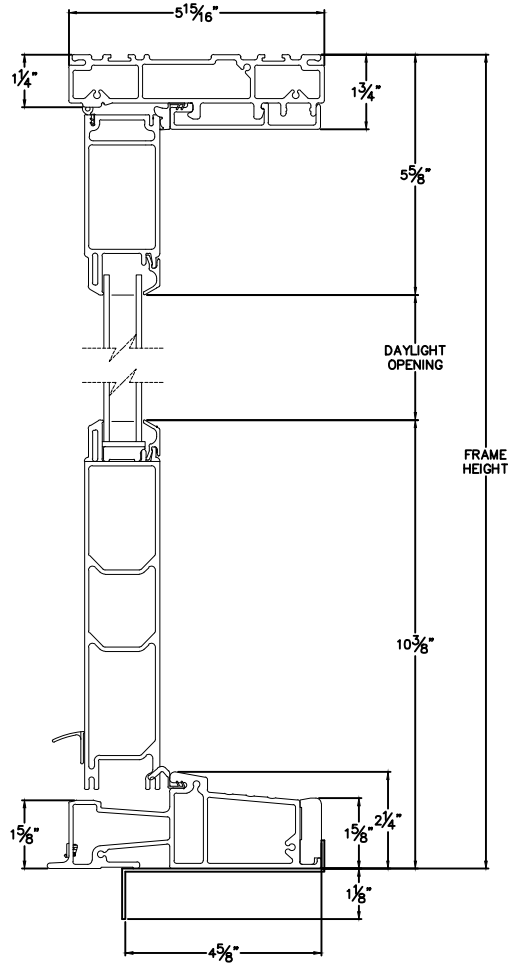
File Name
Ultra_3645_OS_A_block_sill-pan

Units
Inch

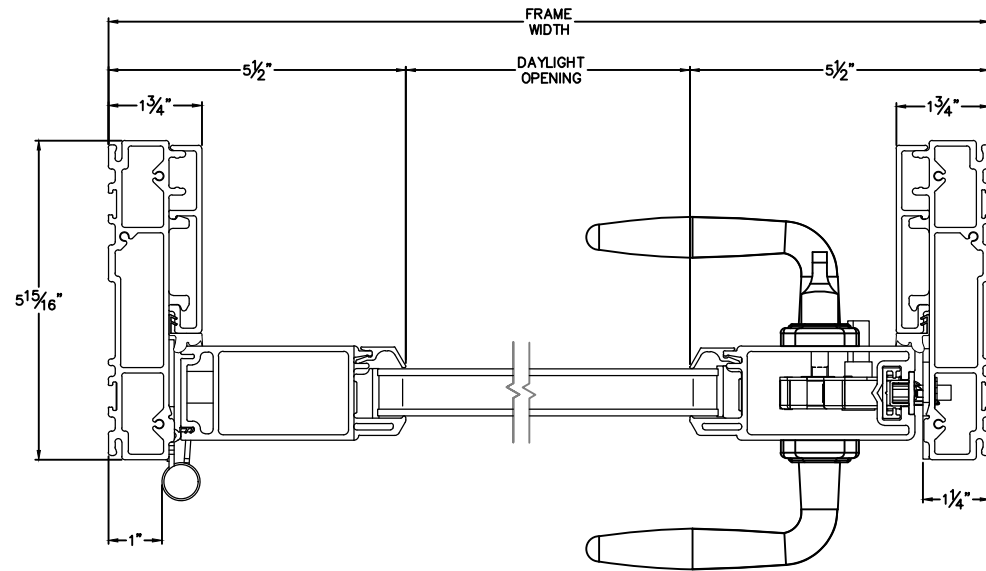
Revision
06/2016

More Technical Documents can be found at milgard.com/professionals
Due to continual research and development, details may be changed at any time. ©2013 Milgard Mfg.

OUT-SWING DOOR SERIES 3645



HEAD & SILL



JAMBS