

**CROSS SECTION DRAWING**  
**Ultra French OutSwing Door, 3 Panel Fixed/Passive/Active**  
**1 3/8" NailFin Setback**



CAD FILE SCALE  
NTS

VIEW  
HORIZONTAL & VERTICAL

FILE NAME  
Ultra\_3645\_OS\_FPA\_1.375in\_4.563wall

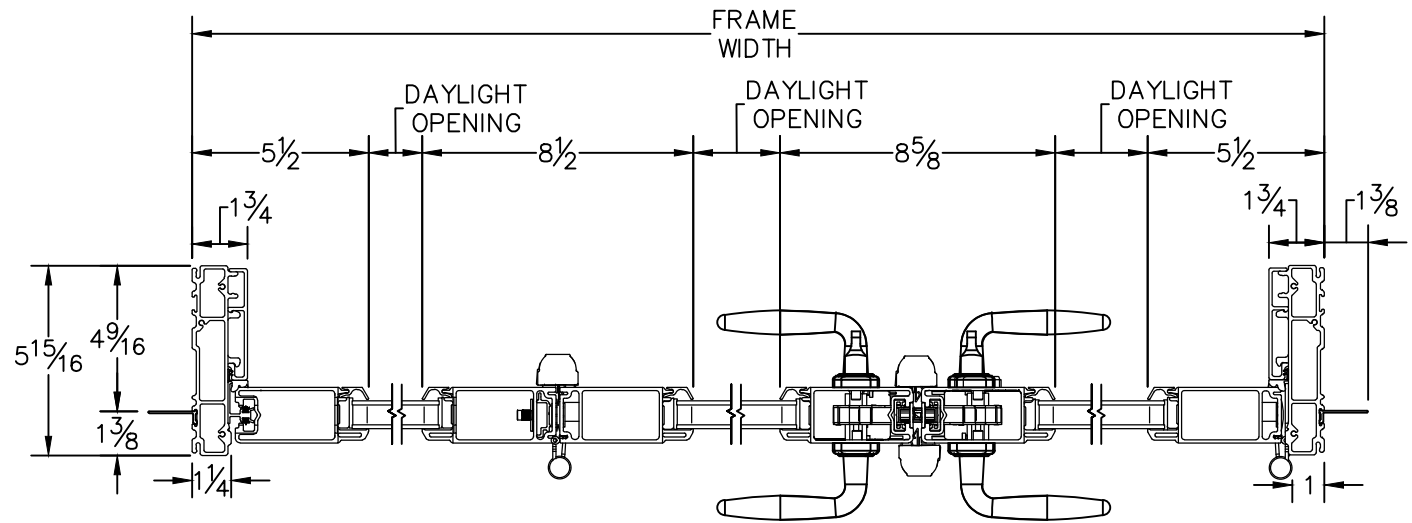
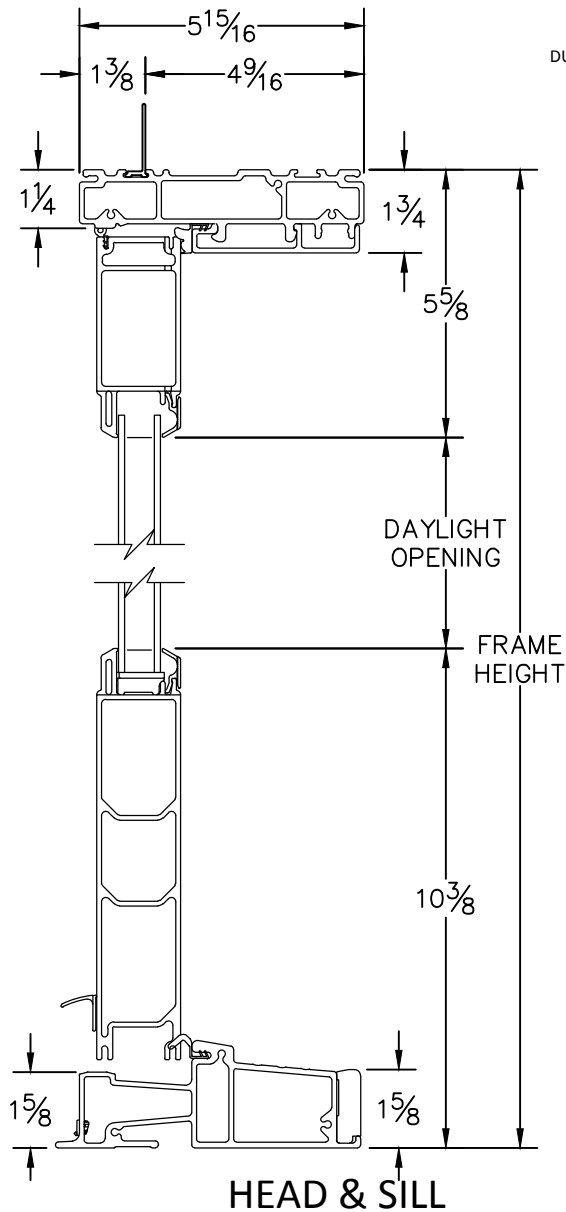
UNITS  
INCH

REVISION  
09/2016

MORE TECHNICAL DOCUMENTS CAN BE FOUND AT [MILGARD.COM/PROFESSIONALS](http://MILGARD.COM/PROFESSIONALS)

DUE TO CONTINUAL RESEARCH AND DEVELOPMENT, DETAILS MAY BE CHANGED AT ANY TIME. © 2016 MILGARD MFG.

**OUTSWING**  
**SERIES 3645**



**JAMBS**