

Cross Section Drawing

Ultra French OutSwing Door, 2 Panel Passive/Active 1 3/8" Fin Setback



Clearly the best.

CAD File Scale
NTS

View
Horizontal & Vertical

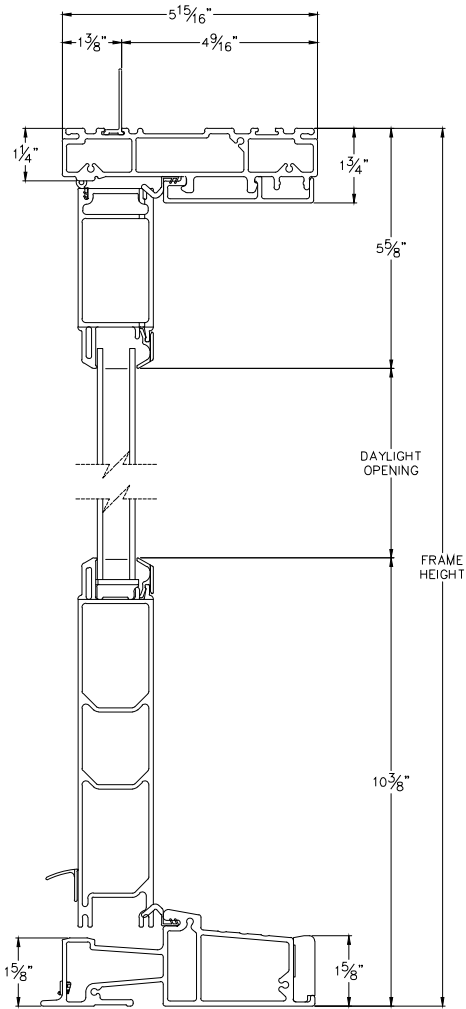
File Name
Ultra_3645_OS_PA_1.375in_4.563wall

Units
Inch

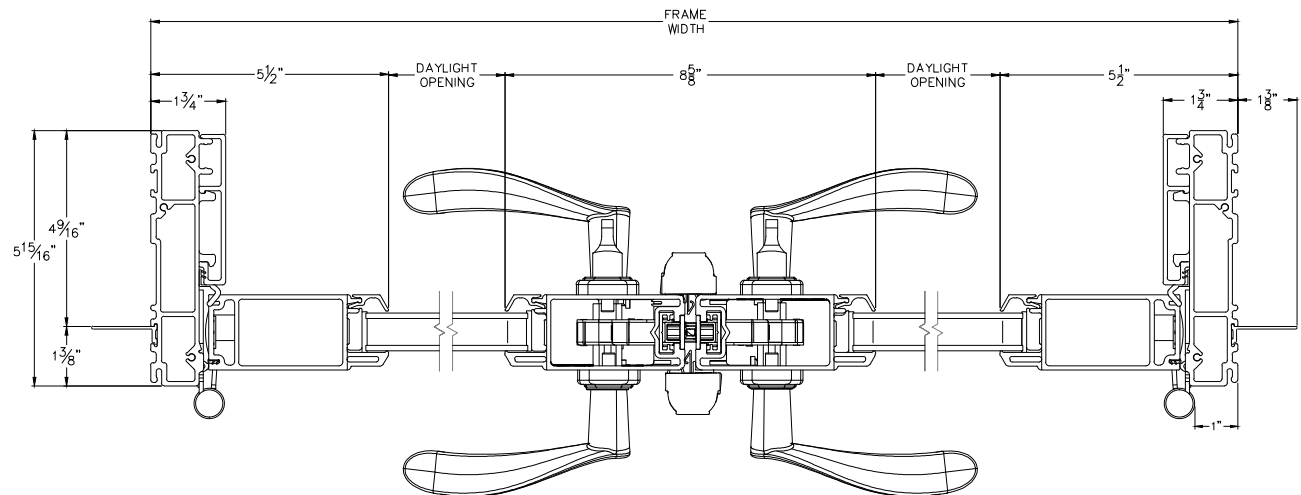
More Technical Documents can be found at milgard.com/professionals

Due to continual research and development, details may be changed at any time. ©2013 Milgard Mfg.

OUT SWING SERIES 3645



HEAD & SILL



JAMBS