

CROSS SECTION DRAWING
Ultra French OutSwing Door, 2 Panel w/ Operable Sidelites
1 3/4" Contour Z Bar

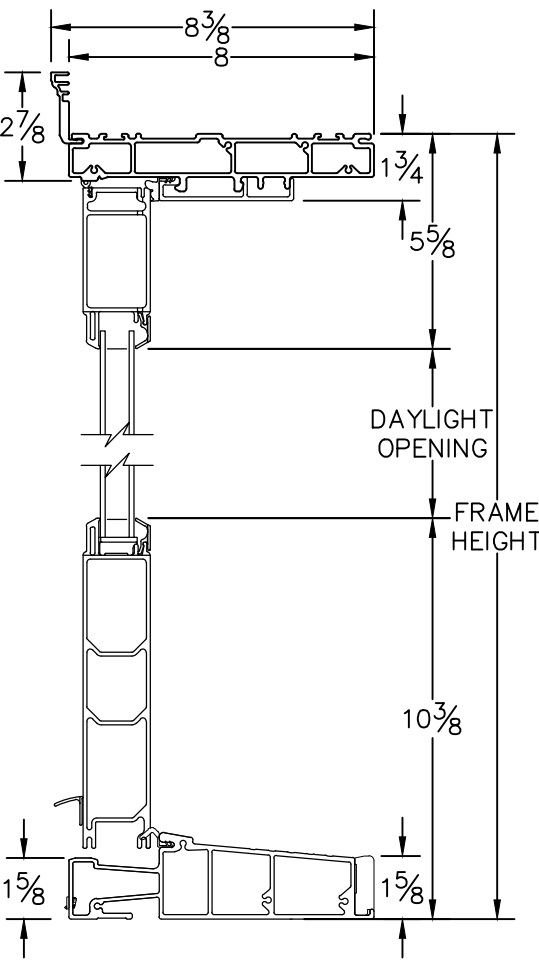


CAD FILE SCALE	VIEW	FILE NAME	UNITS	REVISION
NTS	HORIZONTAL & VERTICAL	Ultra_3665_OS_HAPH_1.75in-z-bar	INCH	10/2016

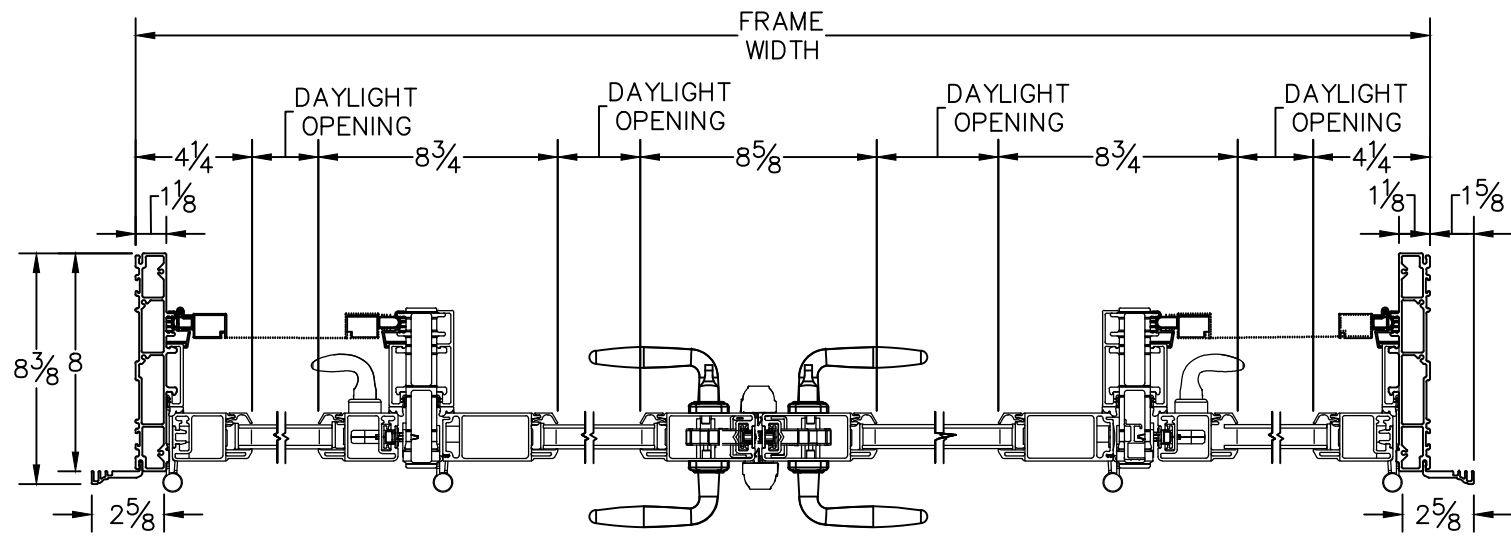
MORE TECHNICAL DOCUMENTS CAN BE FOUND AT MILGARD.COM/PROFESSIONALS

DUE TO CONTINUAL RESEARCH AND DEVELOPMENT, DETAILS MAY BE CHANGED AT ANY TIME. © 2016 MILGARD MFG.

OUTSWING
SERIES 3665



HEAD & SILL



JAMBS