

CROSS SECTION DRAWING
Ultra French OutSwing Door, 3 Panel Operable/Fixed/Fixed
1 3/8" Fin Setback



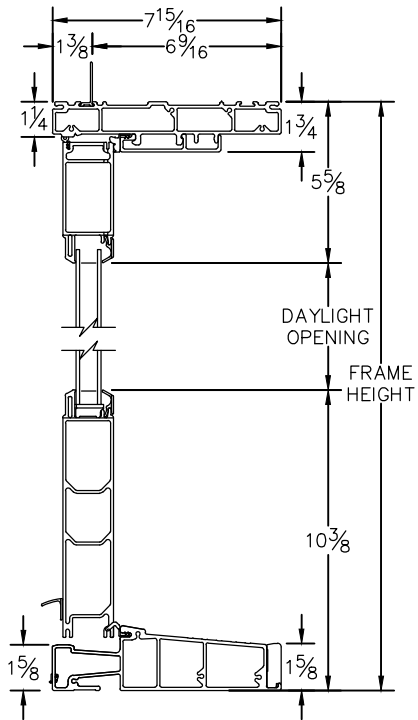
Clearly the best.

CAD FILE SCALE	View	FILE NAME	UNITS	REVISION
NTS	HORIZONTAL & VERTICAL	Ultra_3665_OS_LOO_1.375in_4.563wall	INCH	07/2016

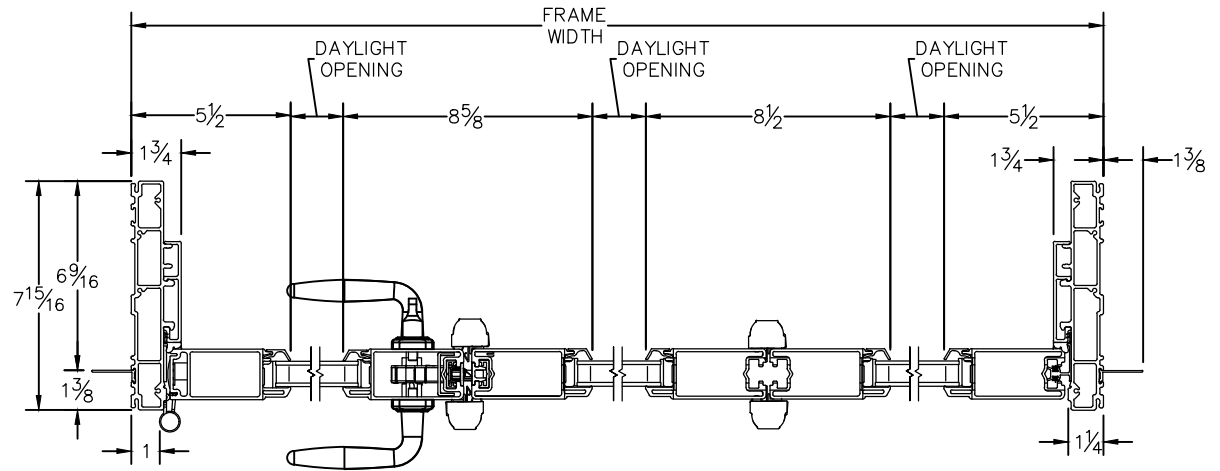
MORE TECHNICAL DOCUMENTS CAN BE FOUND AT MILGARD.COM/PROFESSIONALS

DUE TO CONTINUAL RESEARCH AND DEVELOPMENT, DETAILS MAY BE CHANGED AT ANY TIME. © 2016 MILGARD MFG.

IN SWING
SERIES 3665



HEAD & SILL



JAMBS