

Cross Section Drawing

Ultra French InSwing Door, 2 Panel Passive/Active, ADA Compliant 1 3/8" Nailfin Setback

CAD File Scale
NTS

View
Horizontal & Vertical

File Name
Ultra_3942_IS_low_sill_ADA_AP_1.375in

Units
Inch

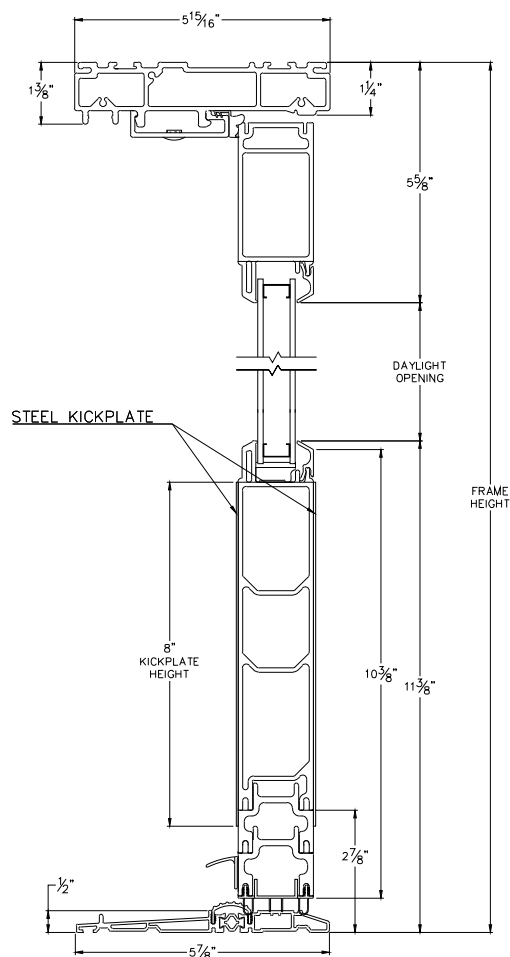
Revision
06/2016

More Technical Documents can be found at milgard.com/professionals

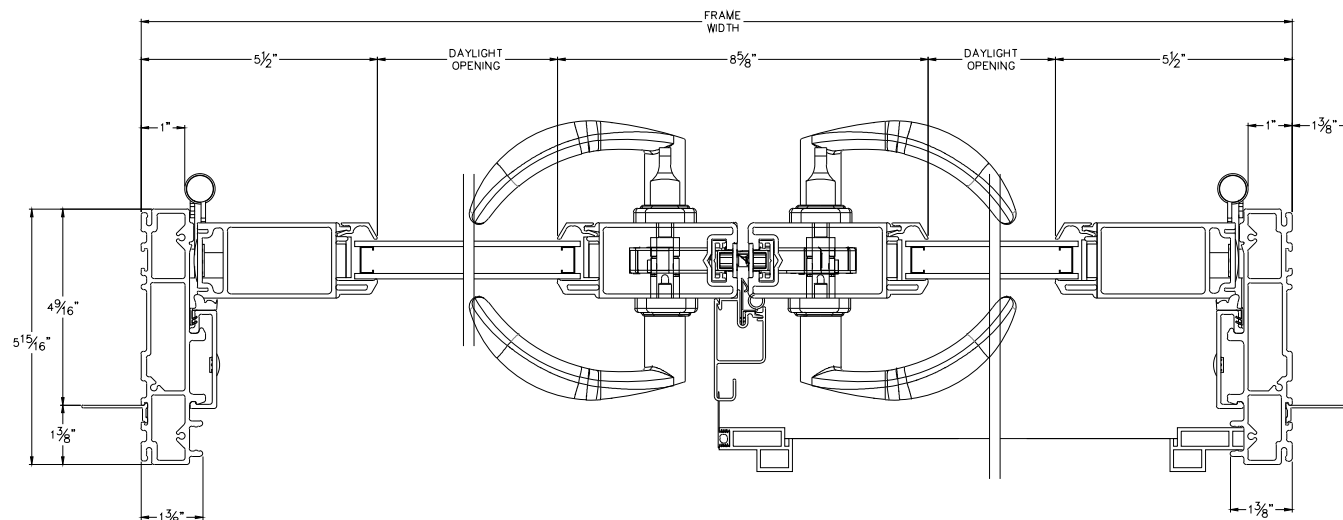
Due to continual research and development, details may be changed at any time. ©2013 Milgard Mfg.

IN SWING SERIES 3942

Shown with ADA Compliant Handle



HEAD & SILL



JAMBS