

**Cross Section Drawing**  
**AX550 Pocket Door P2X Mid Sill**  
**Block Frame**



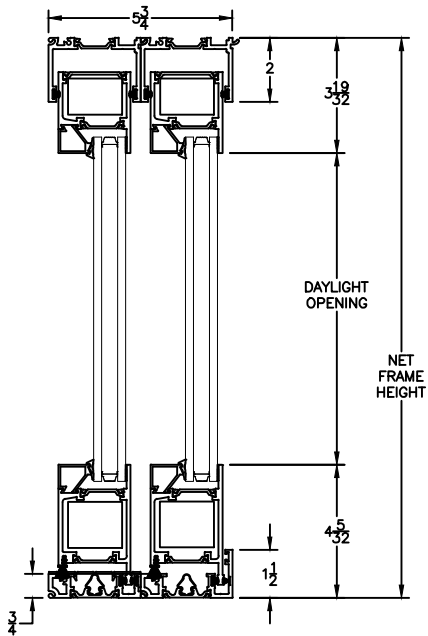
*Clearly the best.™*

CAD File Scale	View	File Name	Units	Revision
NTS	Horizontal & Vertical	AX550_11611_POCKET_P2X_Mid_Sill_Block	Inch	03/2022

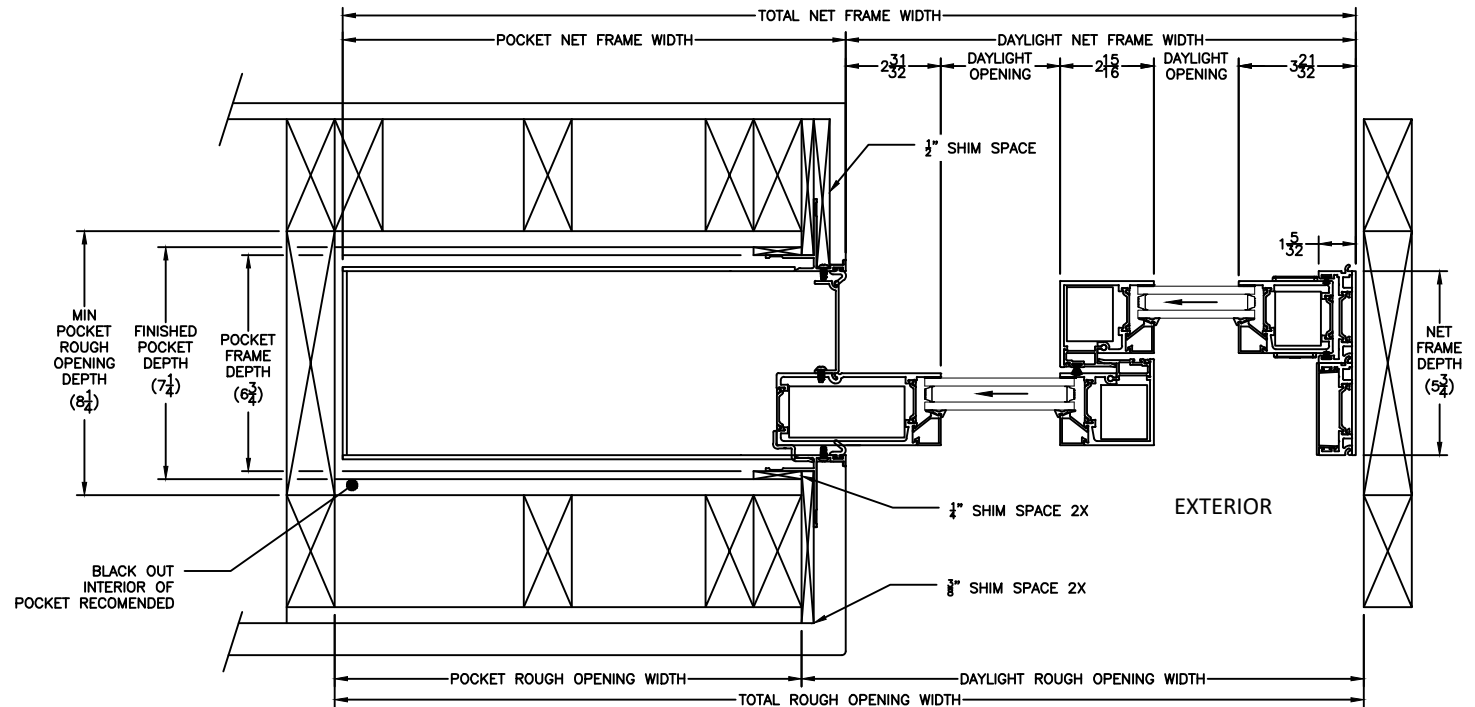
More Technical Documents can be found at [milgard.com/professionals](http://milgard.com/professionals)  
 Due to continual research and development, details may be changed at any time. ©2021 Milgard Mfg.

**POCKET DOOR**  
**SERIES 11611**

Configuration P2X shown  
 Configuration 2XP also available



**HEAD & SILL**



**JAMBS**