

**Cross Section Drawing**  
**AX550 Pocket Door P3X Mid Sill**  
**Block Frame**



*Clearly the best.™*

**CAD File Scale**  
NTS

**View**  
Horizontal & Vertical

**File Name**  
AX550\_11611\_POCKET\_P3X\_Mid\_Sill\_Block

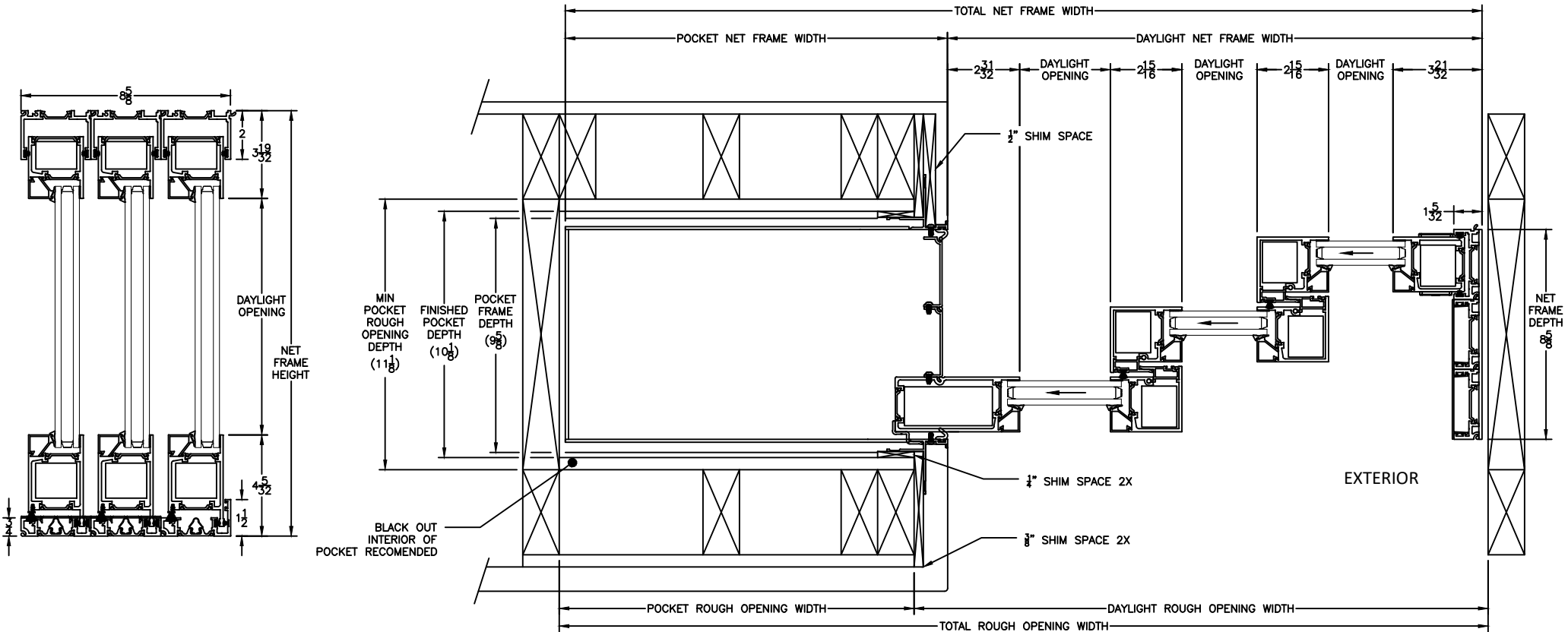
**Units**  
Inch

**Revision**  
03/2022

More Technical Documents can be found at [milgard.com/professionals](http://milgard.com/professionals)  
 Due to continual research and development, details may be changed at any time. ©2021 Milgard Mfg.

**POCKET DOOR**  
**SERIES 11611**

Configuration P3X shown  
 Configuration 3XP also available



**HEAD & SILL**

**JAMBS**