

Cross Section Drawing
AX550 Pocket Door P3X Tall Sill
Block Frame



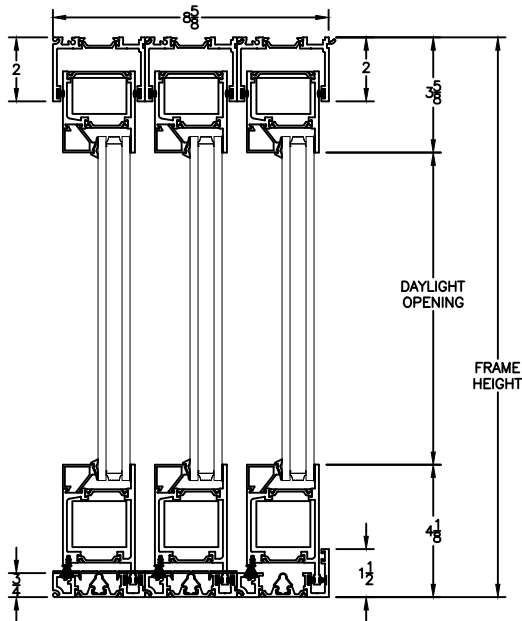
Clearly the best.™

CAD File Scale	View	File Name	Units	Revision
NTS	Horizontal & Vertical	AX550_11611_POCKET_P3X_Tall_Sill_Block	Inch	02/2021

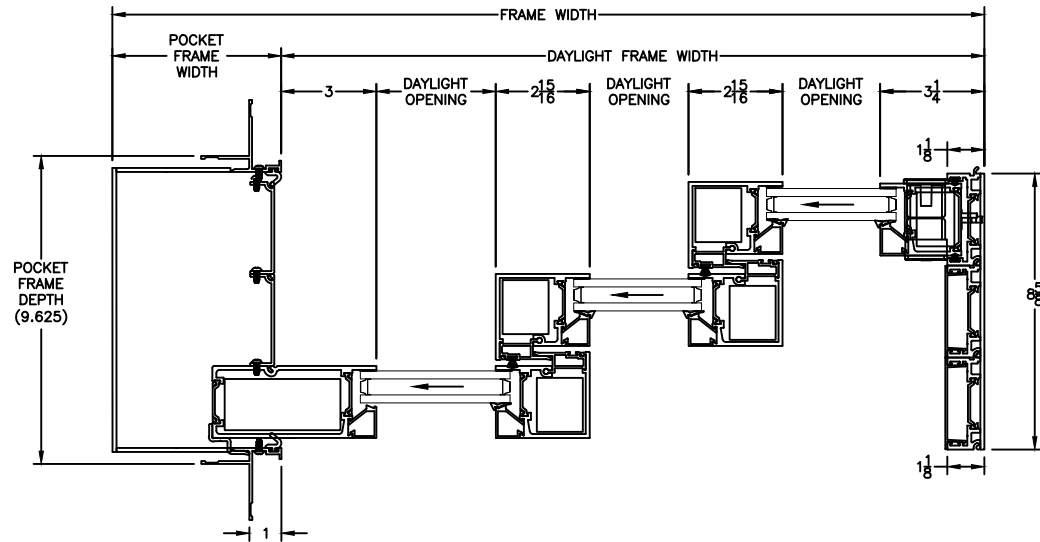
More Technical Documents can be found at milgard.com/professionals
 Due to continual research and development, details may be changed at any time. ©2021 Milgard Mfg.

POCKET DOOR
SERIES 11611

Configuration P3X shown
 Configuration 3XP also available



HEAD & SILL



JAMBS