

Cross Section Drawing

StyleLine Double Awning Window 1 3/8" Fin Set Back



Clearly the best.™

CAD File Scale
NTS

View
Horizontal & Vertical

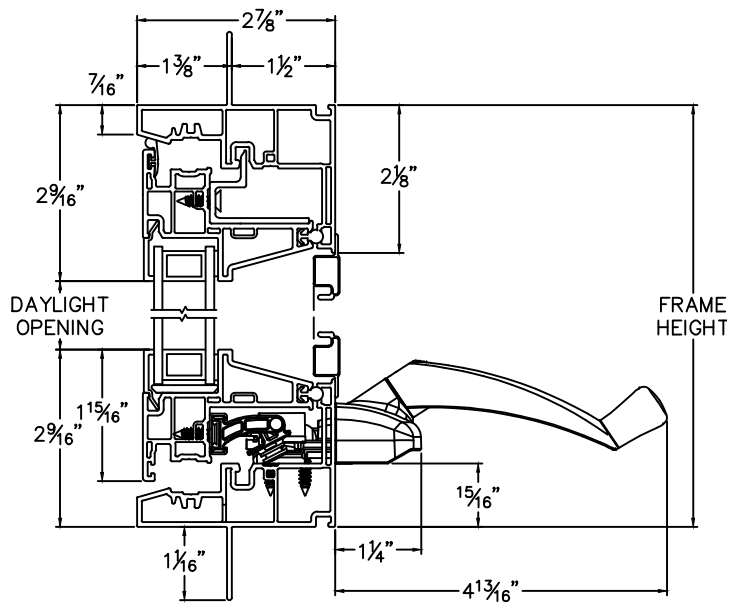
File Name
StyleLine_6410_DA_1.375in

Units
Inch

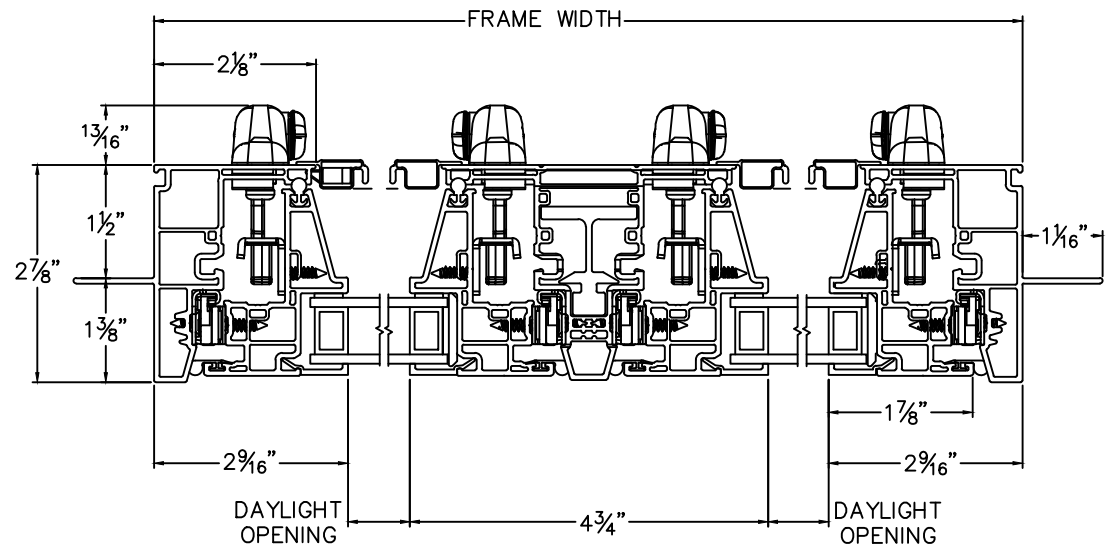
Revision
11/2021

More Technical Documents can be found at milgard.com/professionals
Due to continual research and development, details may be changed at any time. ©2013 Milgard Mfg.

DOUBLE AWNING SERIES 6410



HEAD & SILL



JAMBS