

# Cross Section Drawing

## StyleLine Awning Picture Window Block Frame



*Clearly the best.™*

CAD File Scale  
NTS

View  
Horizontal & Vertical

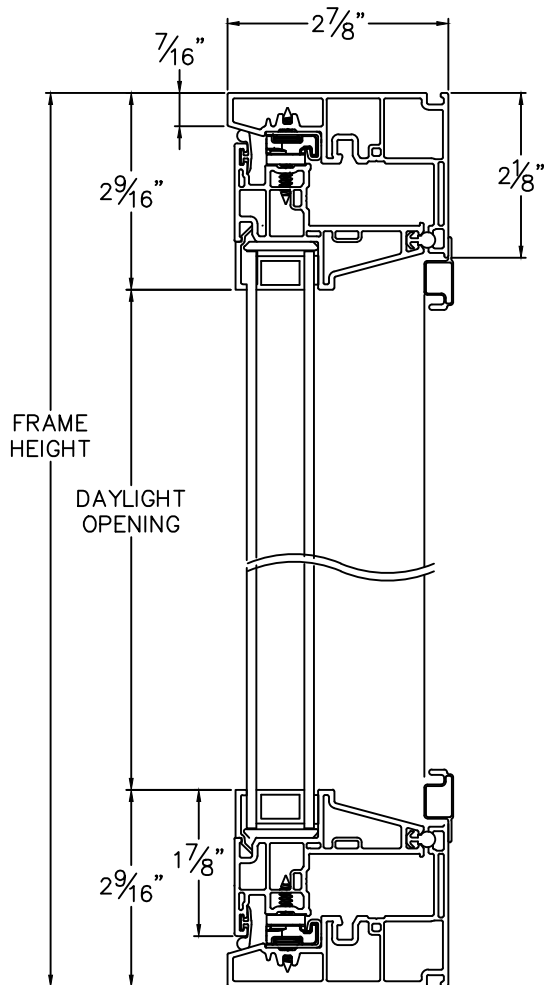
File Name  
StyleLine\_6410\_FAF\_Block

Units  
Inch

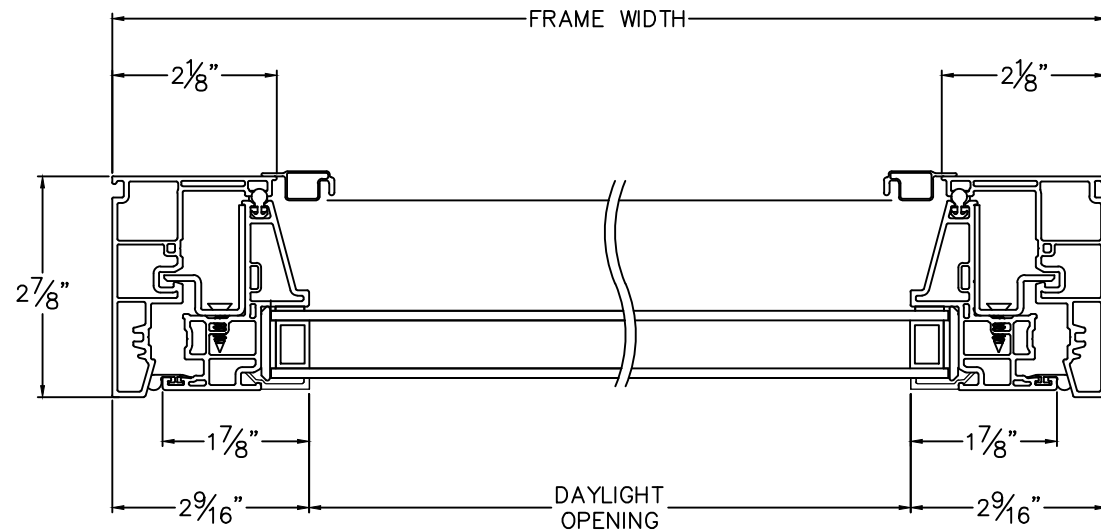
Revision  
11/2021

More Technical Documents can be found at [milgard.com/professionals](http://milgard.com/professionals)  
Due to continual research and development, details may be changed at any time. ©2013 Milgard Mfg.

### AWNING SERIES 6410



HEAD & SILL



JAMBS