

Cross Section Drawing
StyleLine Double Casement Picture Window
1 3/8" Nailfin Setback Frame



Clearly the best.™

CAD File Scale
NTS

View
Horizontal & Vertical

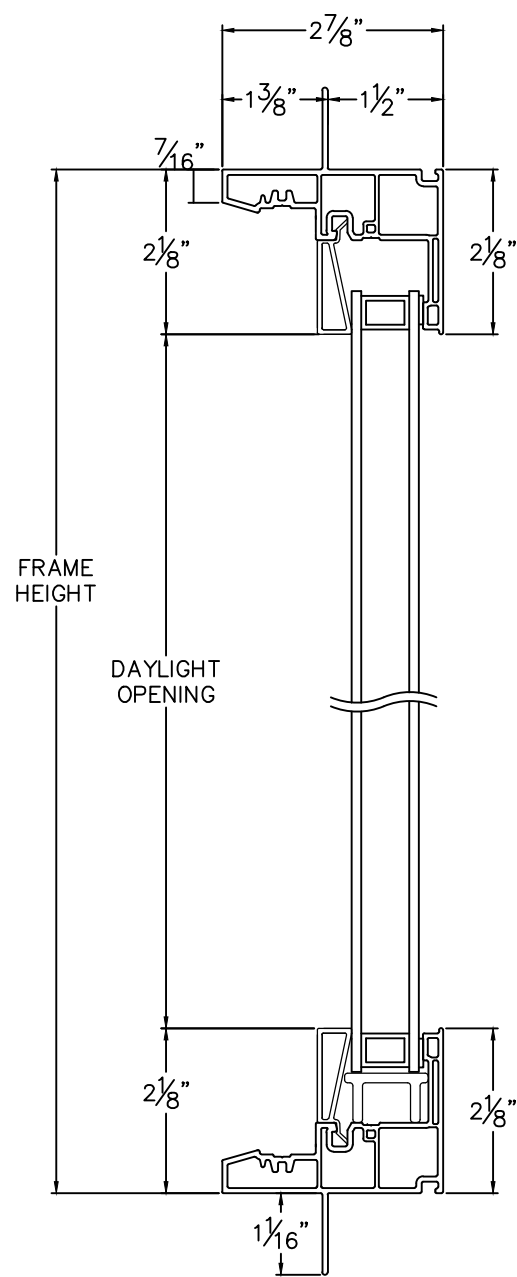
File Name
StyleLine_6510_DCPW_1.375in

Units
Inch

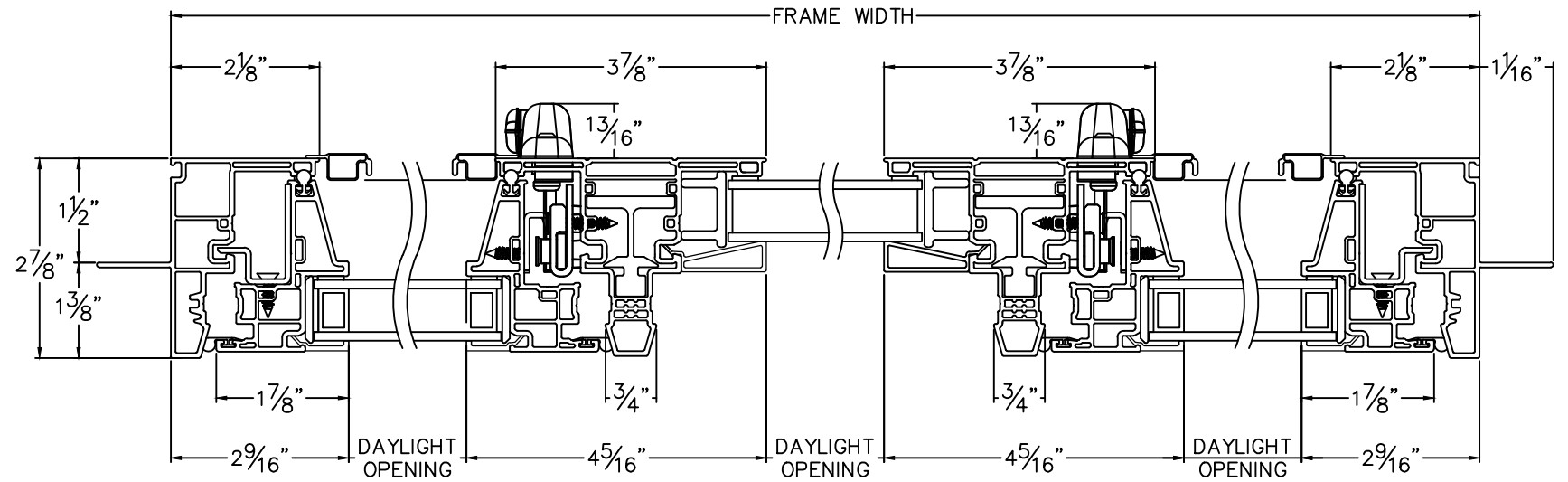
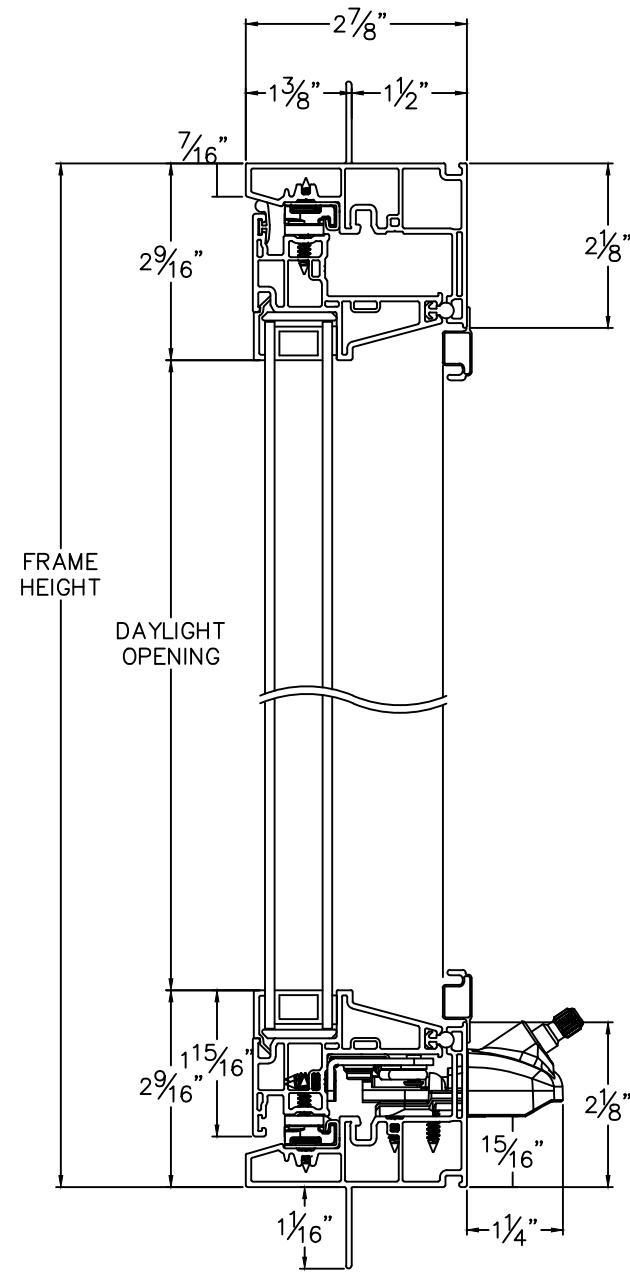
Revision
11/2021

More Technical Documents can be found at milgard.com/professionals
 Due to continual research and development, details may be changed at any time. ©2013 Milgard Mfg.

CASEMENT
SERIES 6510



HEAD & SILL



JAMBS