

Cross Section Drawing

StyleLine Full Casement Window 1" Fin Set Back w/ Stucco Key

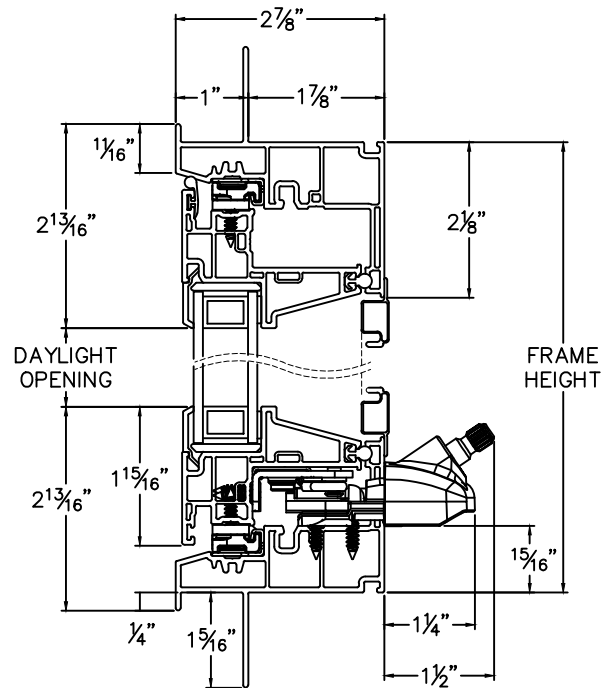


Clearly the best.™

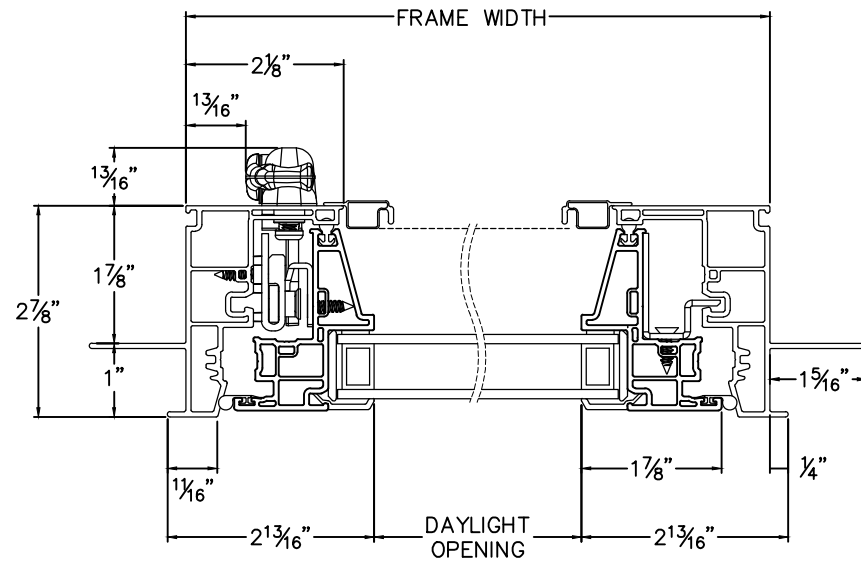
CAD File Scale	View	File Name	Units	Revision
NTS	Horizontal & Vertical	StyleLine_6530_FC_1in_stucco.dwg	Inch	11/2021

More Technical Documents can be found at milgard.com/professionals
 Due to continual research and development, details may be changed at any time. ©2013 Milgard Mfg.

CASEMENT SERIES 6530



HEAD & SILL



JAMBS