

Cross Section Drawing

StyleLine Full Casement Window

1" Nailfin Set Back Accessory Groove Frame, 3/4" Flat "J" Channel

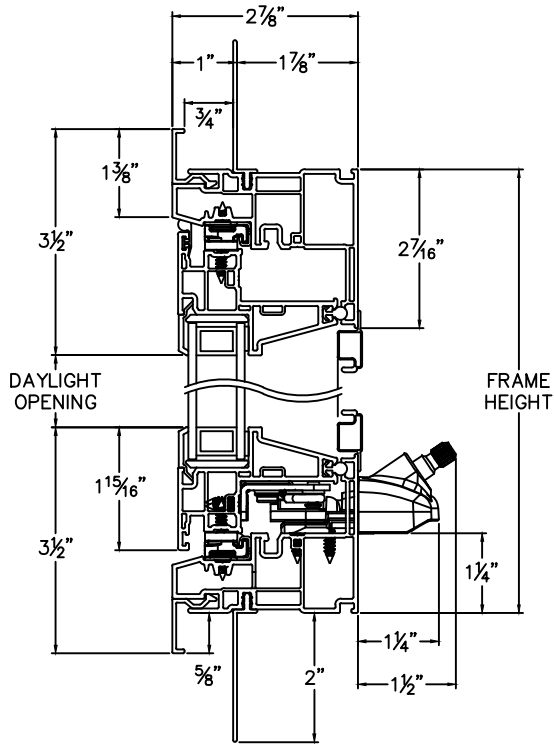


Clearly the best.™

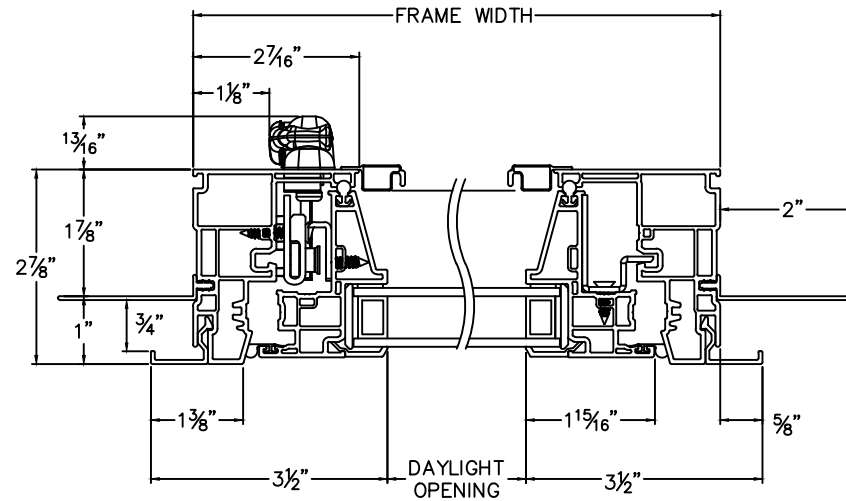
CAD File Scale	View	File Name	Units	Revision
NTS	Horizontal & Vertical	StyleLine_6530_FC_1inNFS_.75in_j-channel	Inch	11/2021

More Technical Documents can be found at milgard.com/professionals
 Due to continual research and development, details may be changed at any time. ©2013 Milgard Mfg.

CASEMENT SERIES 6530J



HEAD & SILL



JAMBS