

Cross Section Drawing

StyleLine Top Casement Window 1" Nailfin Setback Frame

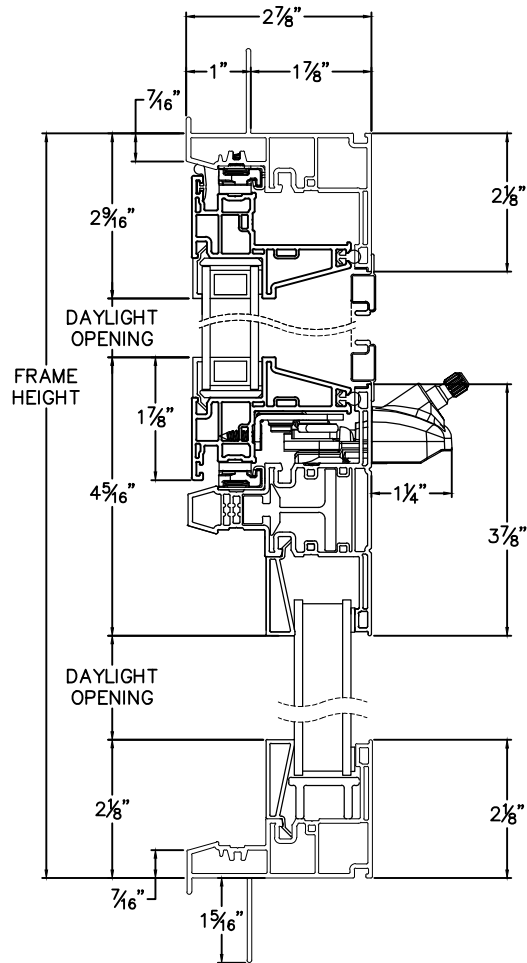


Clearly the best.™

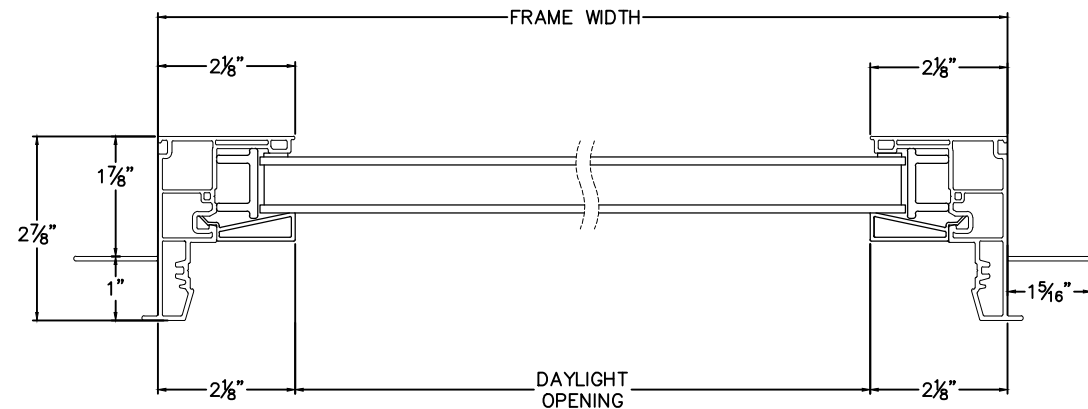
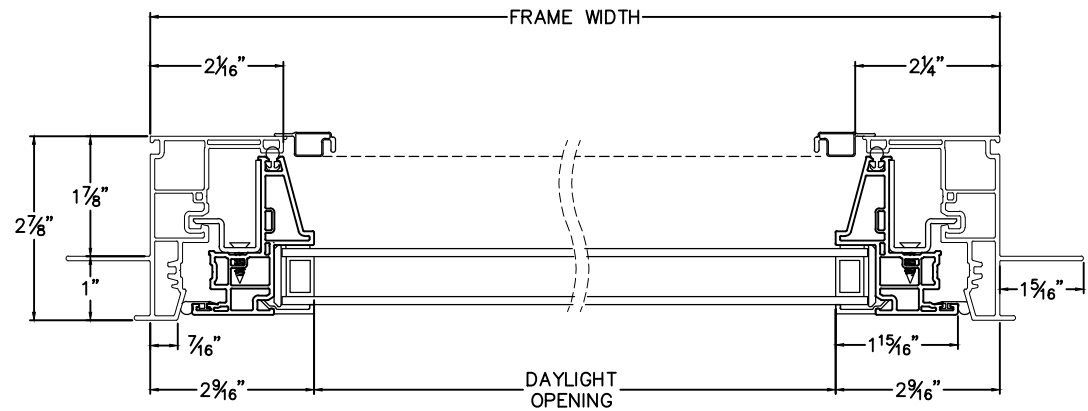
CAD File Scale	View	File Name	Units	Revision
NTS	Horizontal & Vertical	StyleLine_6530_TC_1in	Inch	11/2021

More Technical Documents can be found at milgard.com/professionals
 Due to continual research and development, details may be changed at any time. ©2013 Milgard Mfg.

CASEMENT SERIES 6510



HEAD & SILL



JAMBS