

Cross Section Drawing
StyleLine Single Casement Window
Z-Bar Frame



CAD File Scale
NTS

View
Horizontal & Vertical

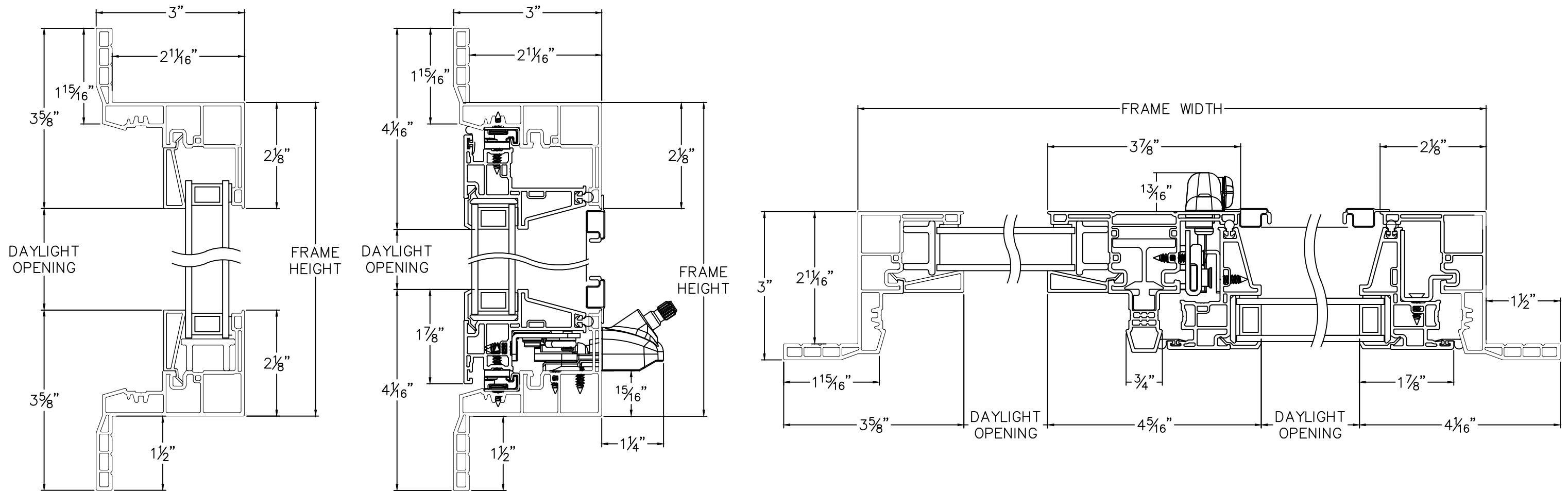
File Name
StyleLine_6570_SC_z-bar

Units
Inch

Revision
11/2021

More Technical Documents can be found at milgard.com/professionals
 Due to continual research and development, details may be changed at any time. ©2013 Milgard Mfg.

CASEMENT
SERIES 6570



HEAD & SILL

JAMBS