

Cross Section Drawing

Trinsic Single Hung Above Window Block Frame (No Fin)



Clearly the best.™

CAD File Scale
NTS

View
Horizontal & Vertical

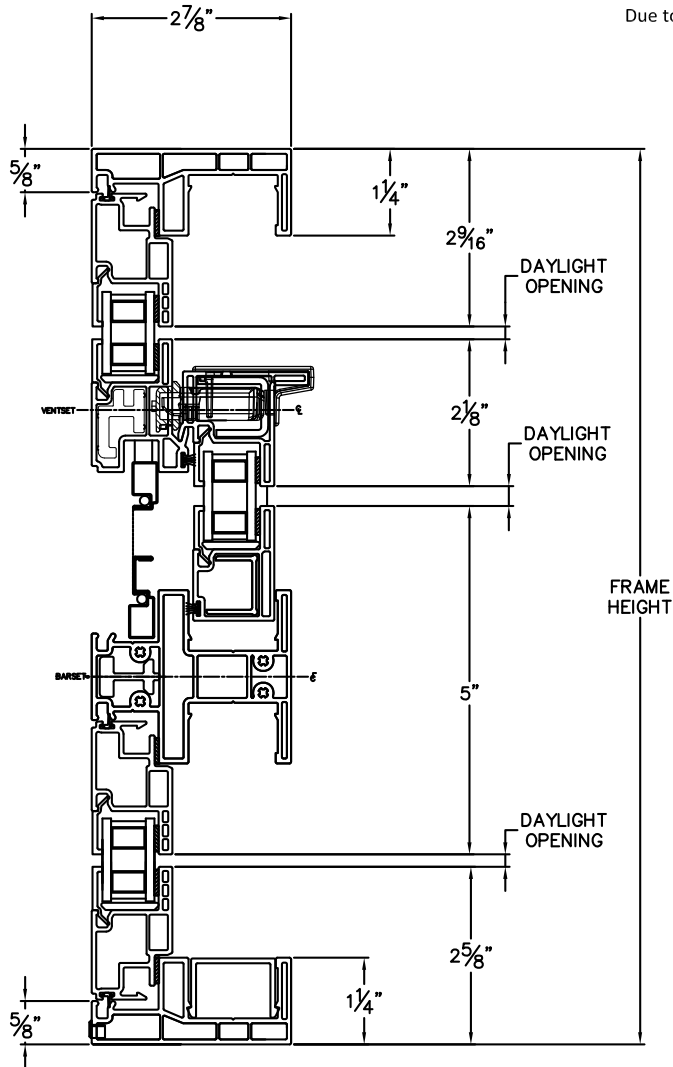
File Name
Trinsic_2210_SHA_Block

Units
Inch

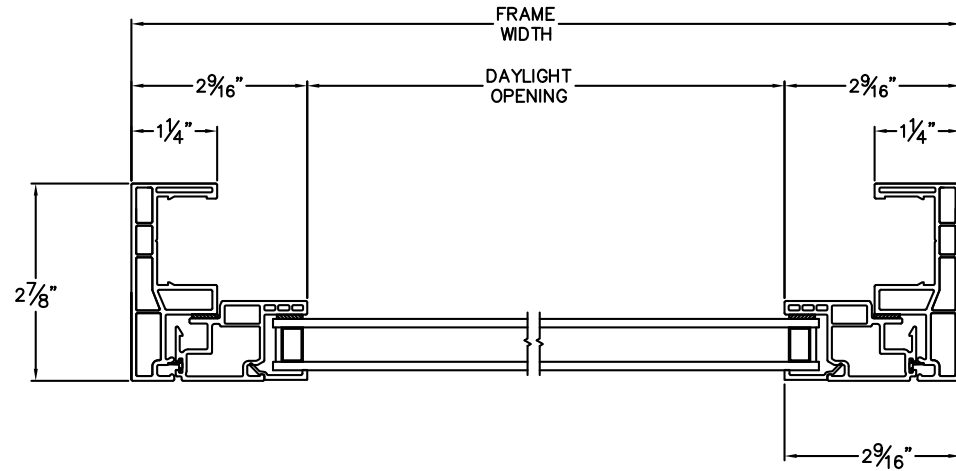
Revision
08/2018

More Technical Documents can be found at milgard.com/professionals
Due to continual research and development, details may be changed at any time. ©2018 Milgard Mfg.

SINGLE HUNG ABOVE SERIES 2210



HEAD & SILL



JAMBS

