

Cross Section Drawing

Trinsic Triple Single Hung Window

1" Nailfin Setback Frame with Stucco Key



CAD File Scale
NTS

View
Horizontal & Vertical

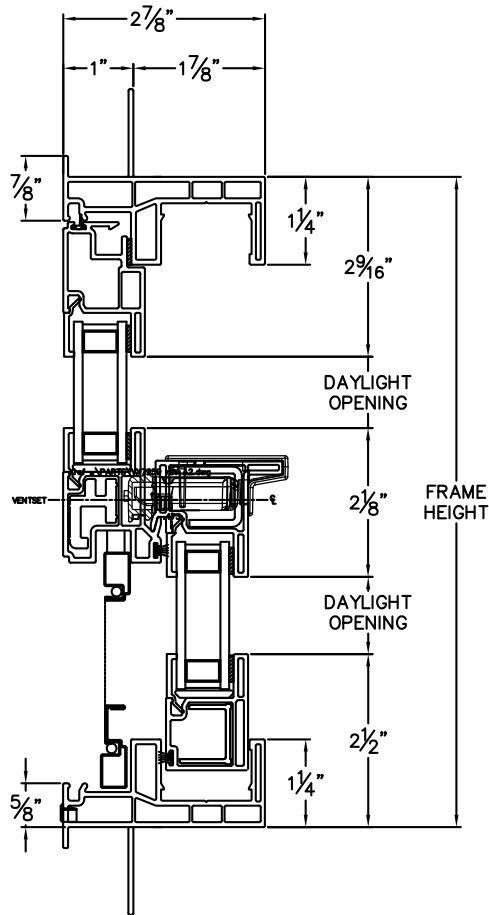
File Name
Trinsic_2230_TSH_1in_Stucco

Units
Inch

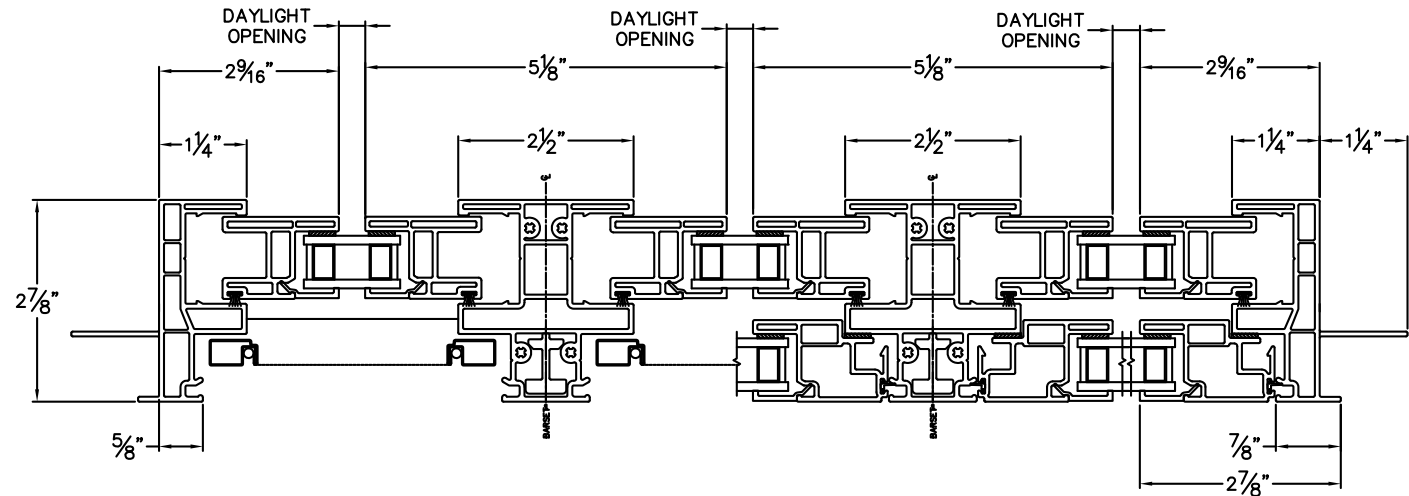
Revision
08/2018

More Technical Documents can be found at milgard.com/professionals
Due to continual research and development, details may be changed at any time. ©2018 Milgard Mfg.

TRIPLE SINGLE HUNG SERIES 2230



HEAD & SILL



JAMBS