

Cross Section Drawing

Trinsic Bottom Awning Window

1 3/8" Nailfin Setback Frame with Stucco Key



CAD File Scale
NTS

View
Horizontal & Vertical

File Name
Trinsic_2411_BA_1.375in_stucco

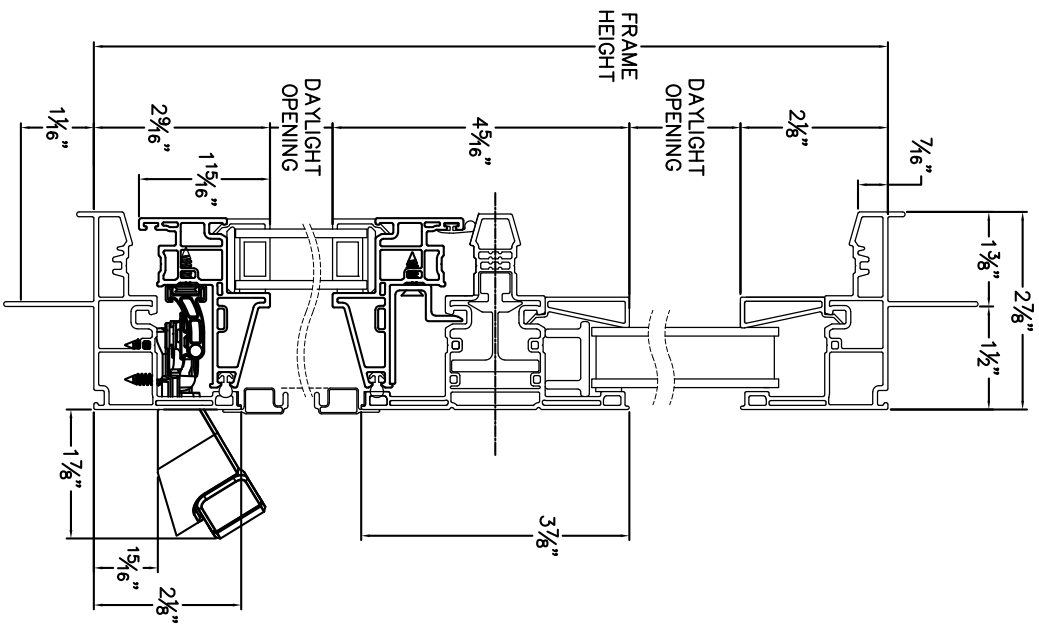
Units
Inch

Revision
2/2020

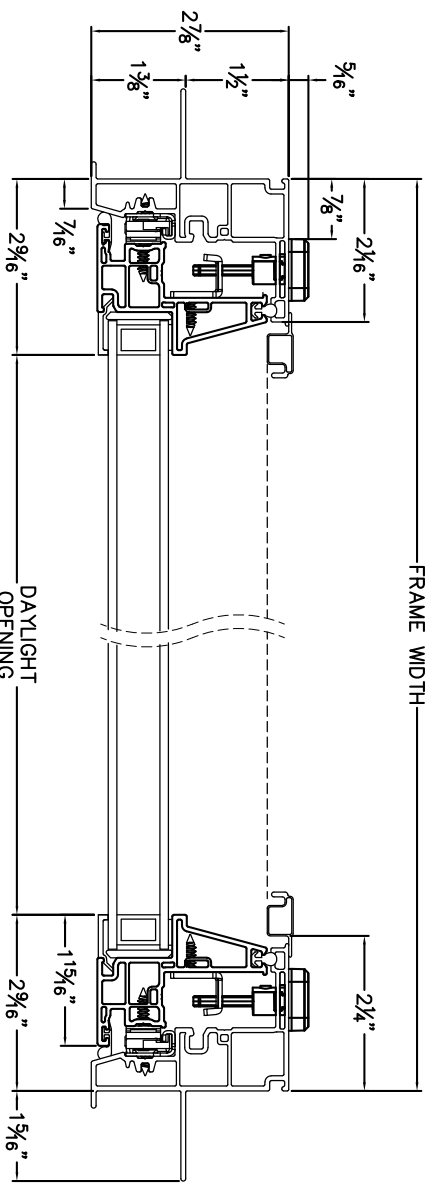
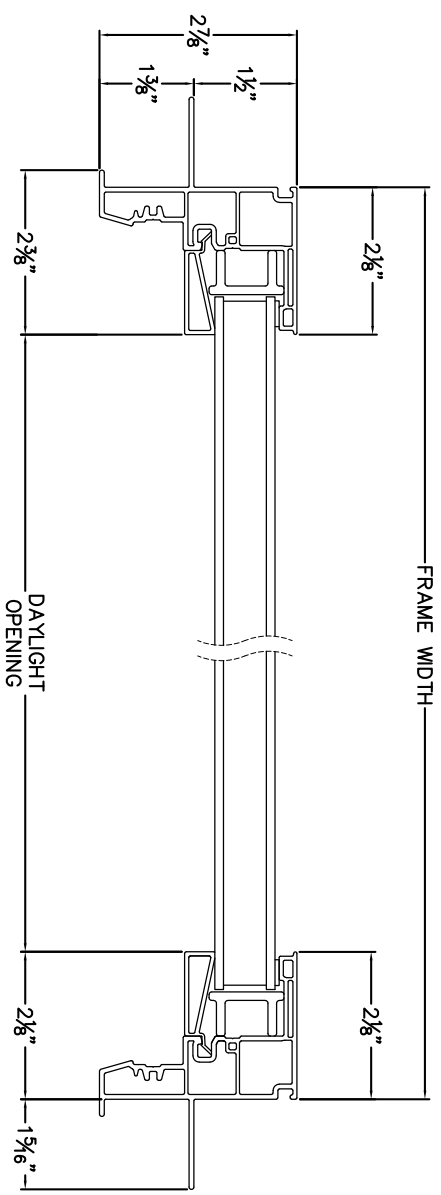
More Technical Documents can be found at milgard.com/professionals
Due to continual research and development, details may be changed at any time. ©2020 Milgard Mfg.

BOTTOM AWNING

SERIES 2411



HEAD & SILL



JAMBS