

Cross Section Drawing

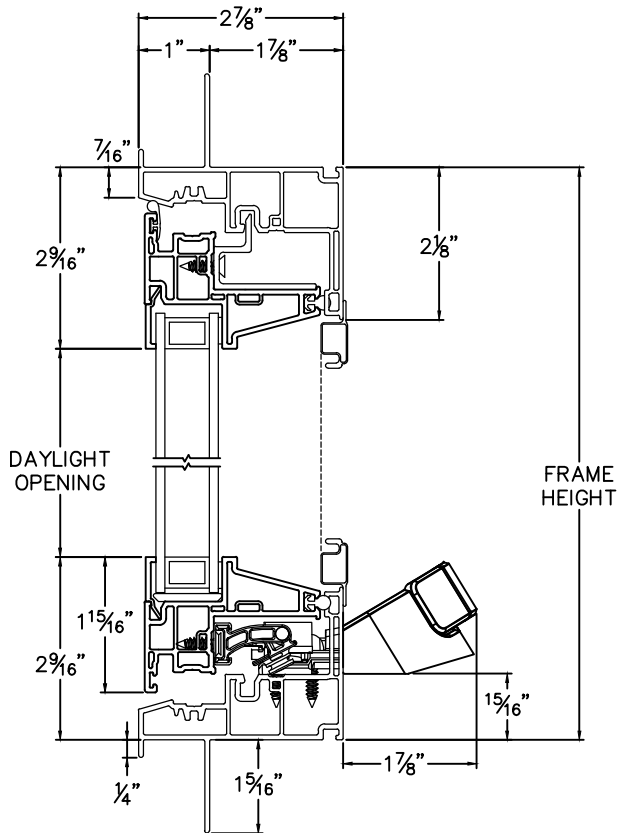
Trinsic Double Awning Window 1" Nailfin Setback Frame with Stucco Key



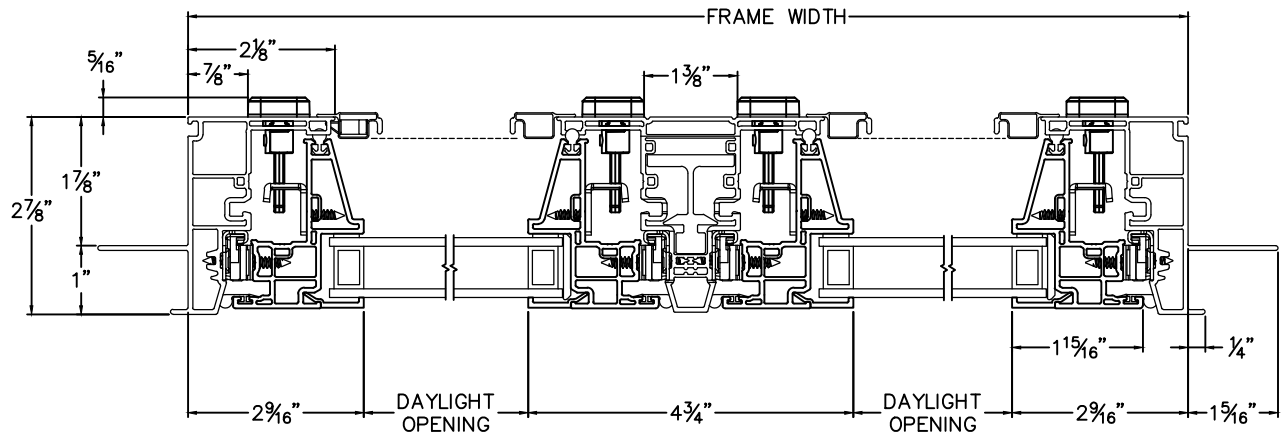
CAD File Scale	View	File Name	Units	Revision
NTS	Horizontal & Vertical	Trinsic_2430_DA_1in_stucco.dwg	Inch	2/2020

More Technical Documents can be found at milgard.com/professionals
 Due to continual research and development, details may be changed at any time. ©2020 Milgard Mfg.

DOUBLE AWNING SERIES 2430



HEAD & SILL



JAMBS