

Cross Section Drawing

Trinsic Double Awning Window

1" Nailfin Setback Accessory Groove Frame, 3/4" Flat "J" Channel



Clearly the best.™

CAD File Scale
NTS

View
Horizontal & Vertical

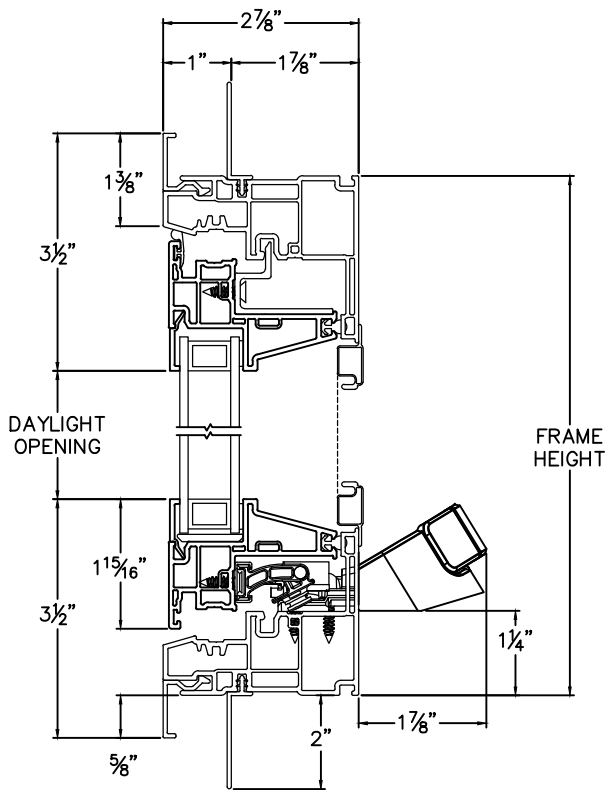
File Name
Trinsic_2430J_DA_1in_j-channel

Units
Inch

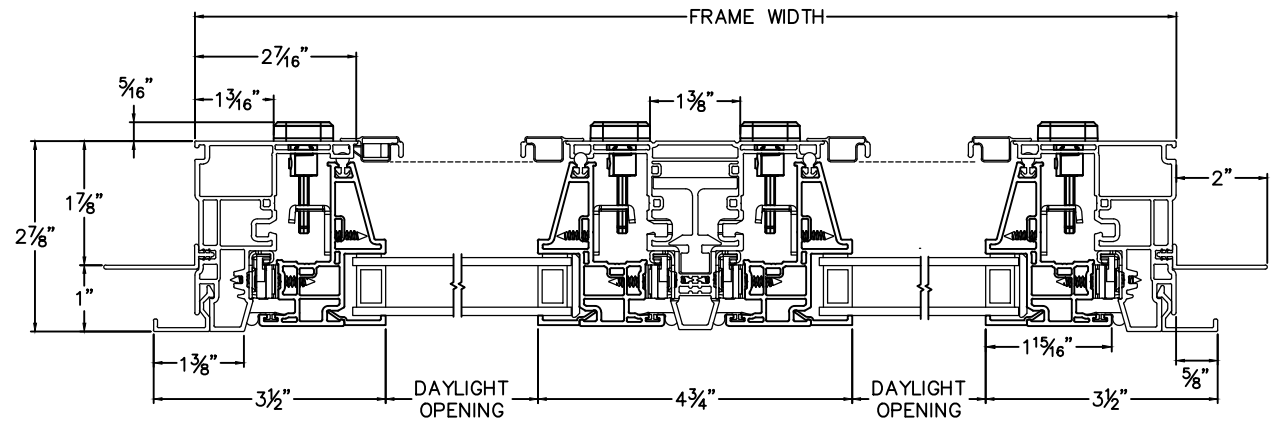
Revision
2/2020

More Technical Documents can be found at milgard.com/professionals
Due to continual research and development, details may be changed at any time. ©2020 Milgard Mfg.

DOUBLE AWNING SERIES 2430J



HEAD & SILL



JAMBS