

Cross Section Drawing

Trinsic Full Awning Window

1" Nailfin Setback Accessory Groove Frame, 3/4" Flat "J" Channel

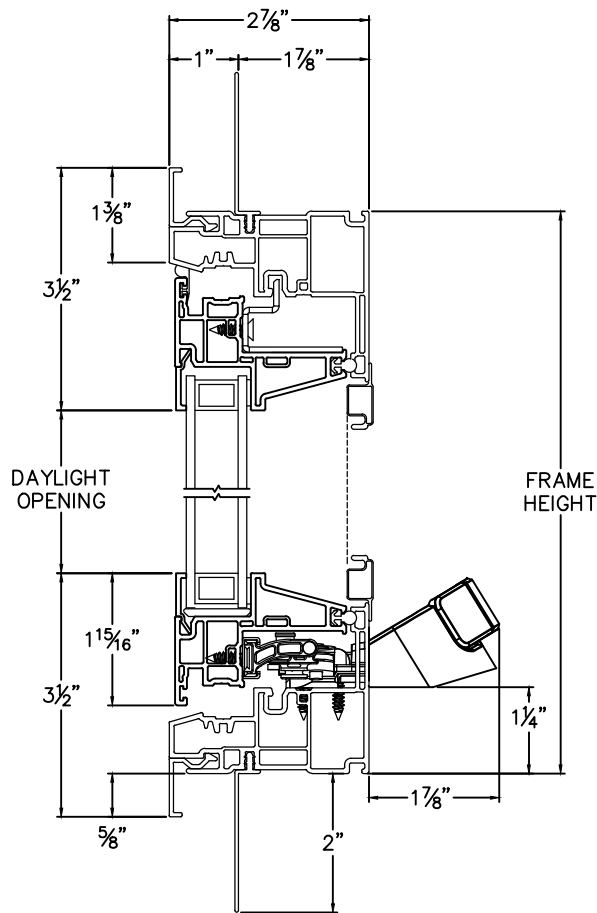


Clearly the best.™

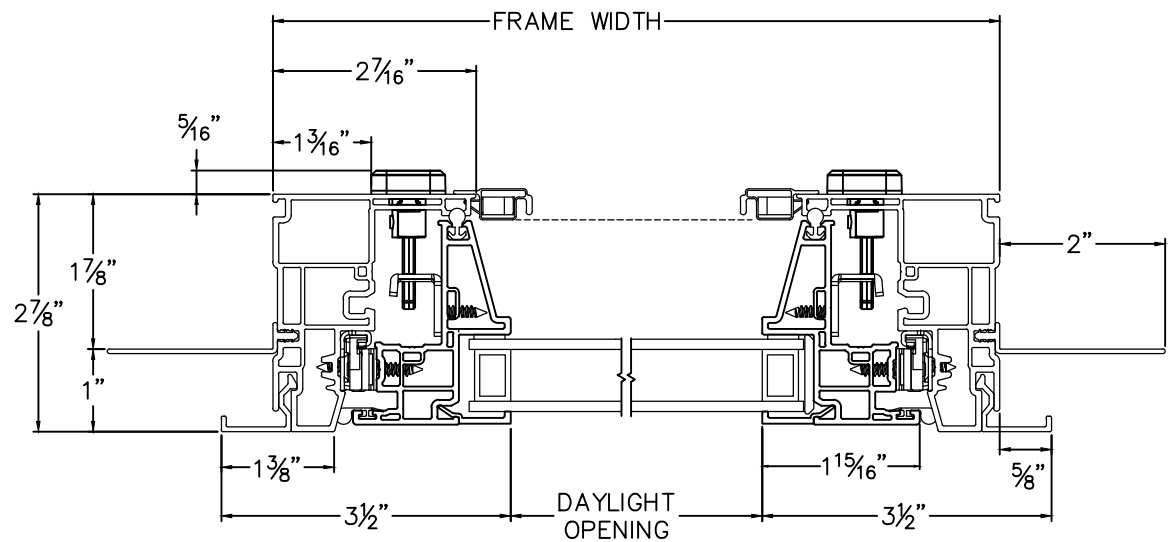
CAD File Scale	View	File Name	Units	Revision
NTS	Horizontal & Vertical	Trinsic_2430J_FA_1in_j-channel	Inch	2/2020

More Technical Documents can be found at milgard.com/professionals
 Due to continual research and development, details may be changed at any time. ©2020 Milgard Mfg.

AWNING SERIES 2430J



HEAD & SILL



JAMBS