

Cross Section Drawing

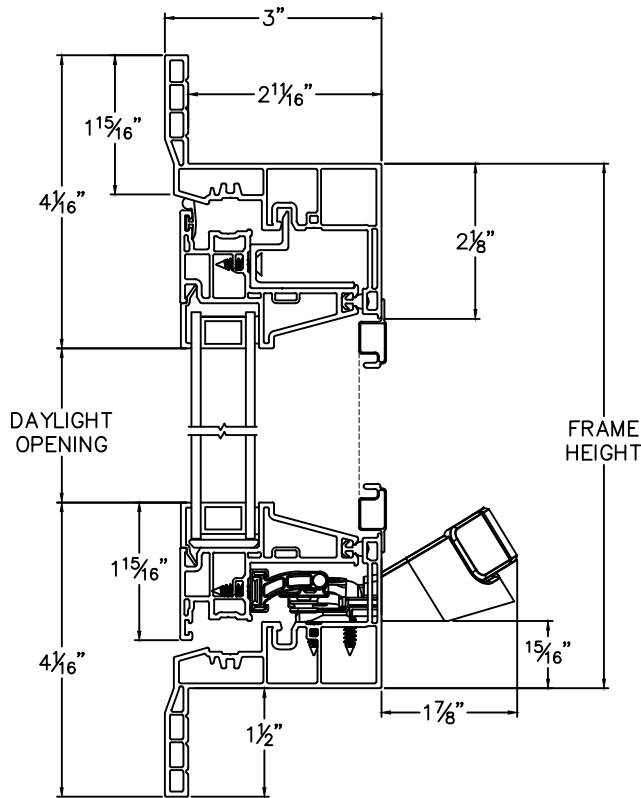
Trinsic Full Awning Window 1 1/2" Contour Z-Bar Frame



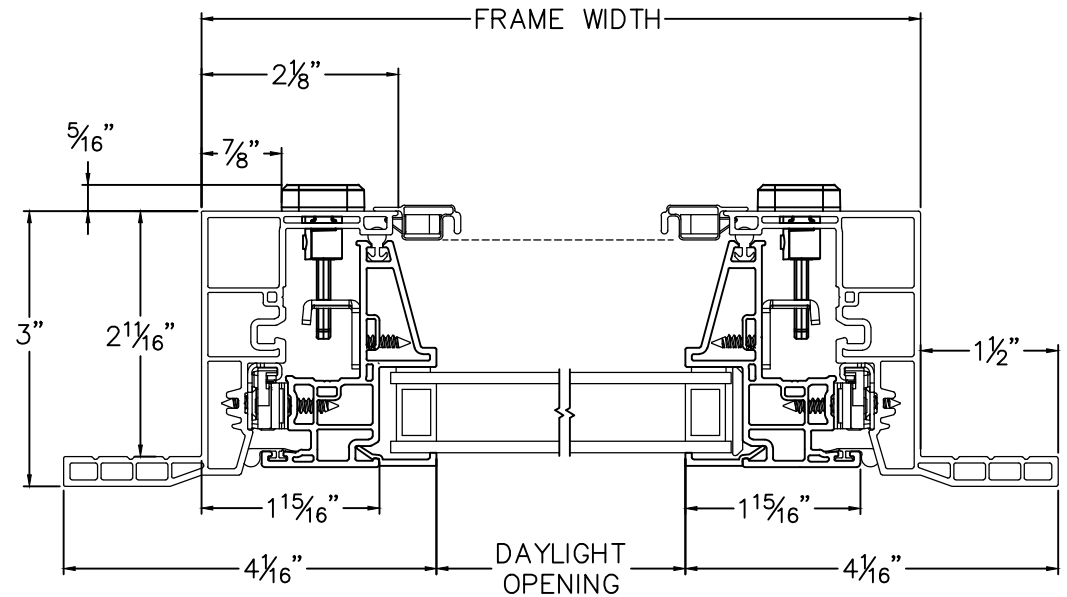
CAD File Scale	View	File Name	Units	Revision
NTS	Horizontal & Vertical	Trinsic_2470_FA_1.5in_z-bar	Inch	2/2020

More Technical Documents can be found at milgard.com/professionals
 Due to continual research and development, details may be changed at any time. ©2020 Milgard Mfg.

AWNING SERIES 2470



HEAD & SILL



JAMBS