

Cross Section Drawing
Trinsic Single Casement Window
1 3/8" Nailfin Setback Frame with Stucco Key



Clearly the best.™

CAD File Scale
NTS

View
Horizontal & Vertical

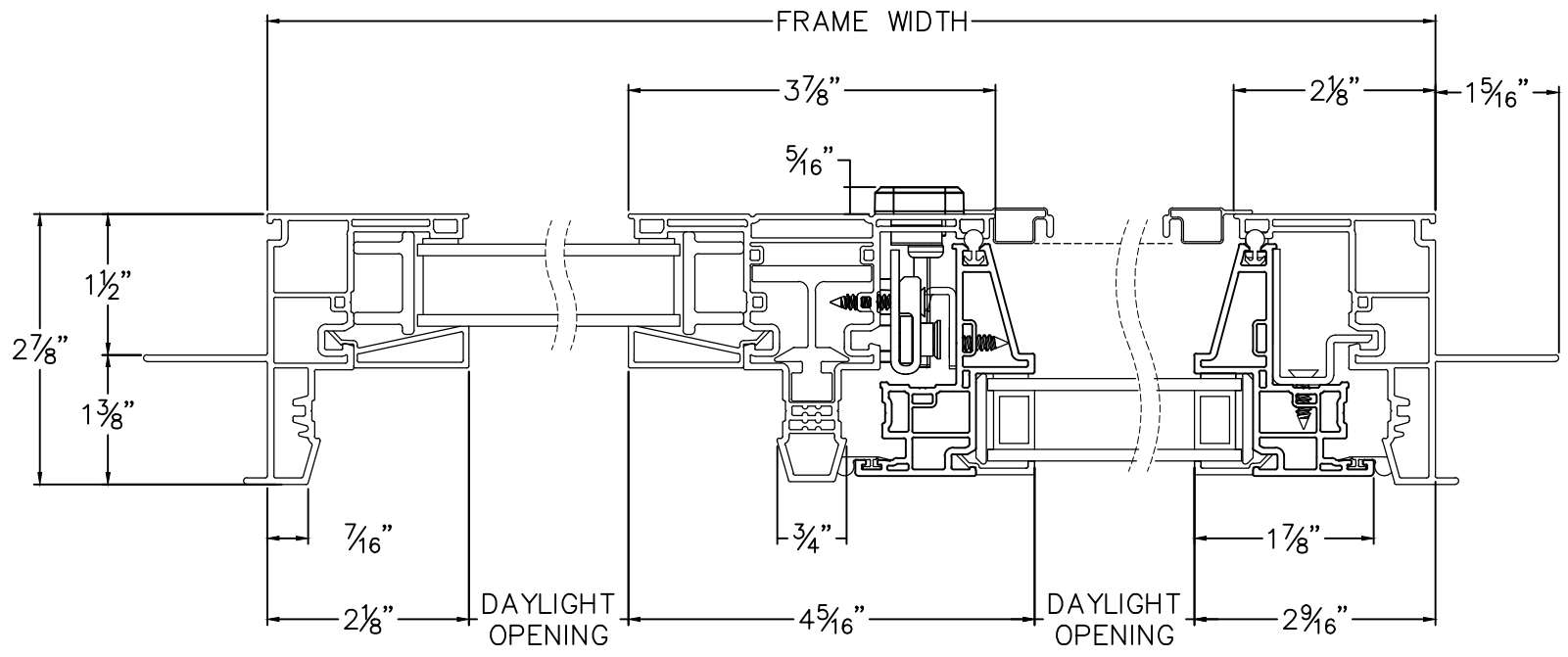
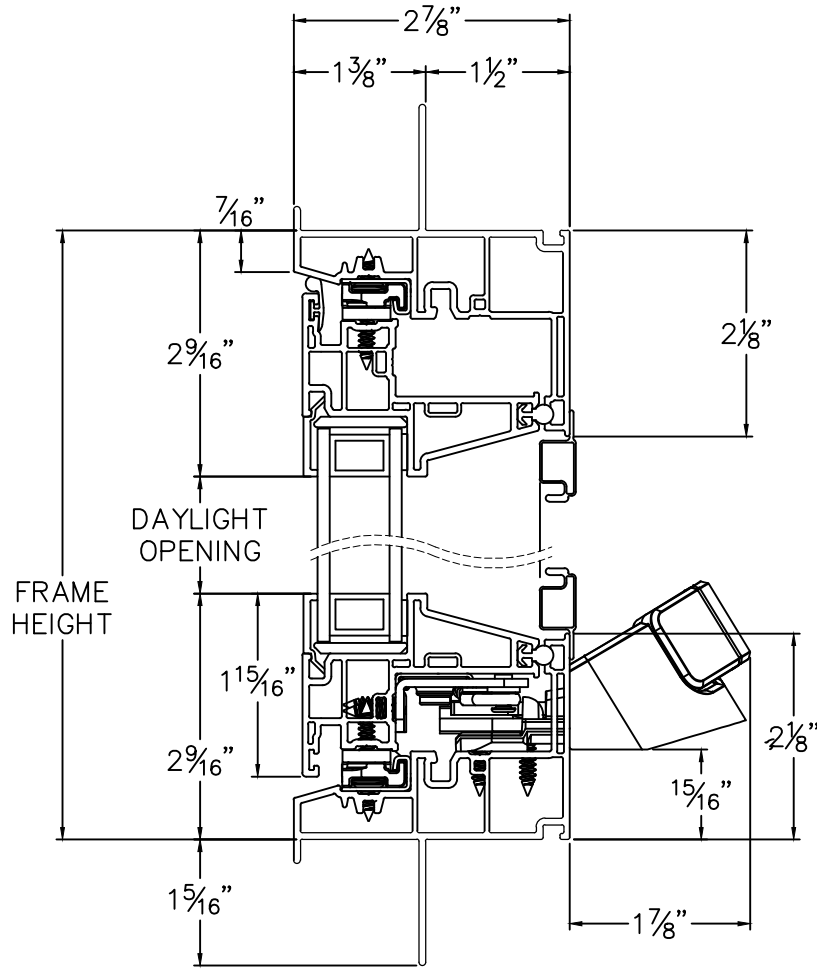
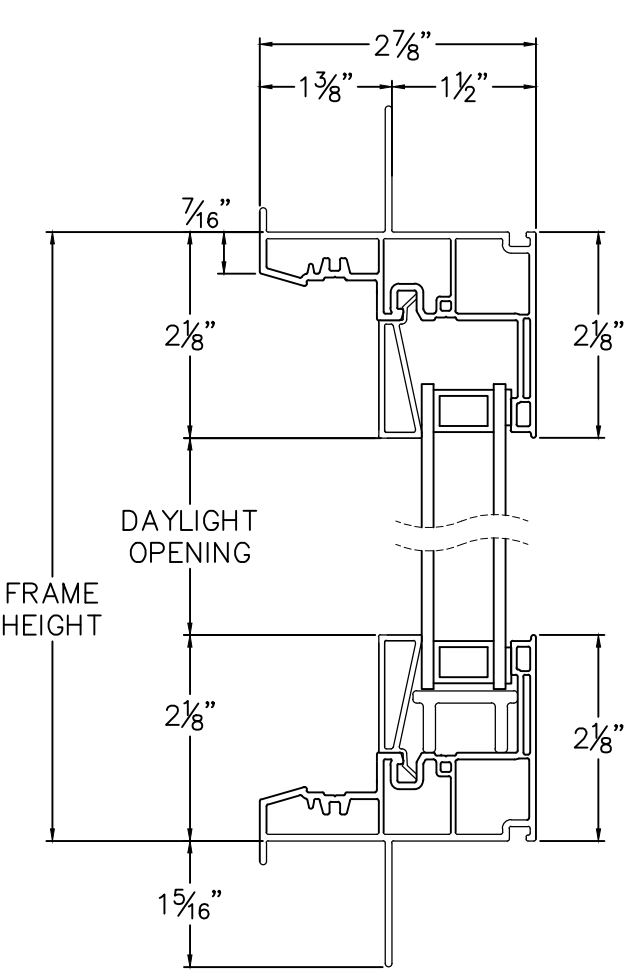
File Name
Trinsic_2511_SC_1.375in_stucco

Units
Inch

Revision
2/2020

More Technical Documents can be found at milgard.com/professionals
 Due to continual research and development, details may be changed at any time. ©2020 Milgard Mfg.

CASEMENT
SERIES 2511



HEAD & SILL

JAMBS