

**Cross Section Drawing**  
**Trinsic Sliding Door, 4 Panel (OXXO)**  
**1 3/8" Fin Set Back**



CAD File Scale  
NTS

View  
Horizontal & Vertical

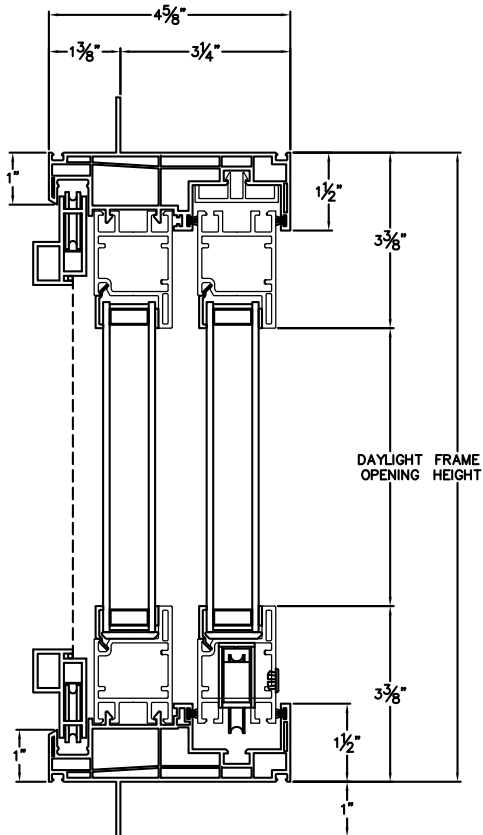
File Name  
TRINSIC\_2610\_SGD\_OXXO\_1.375in FIN SET BACK

Units  
Inch

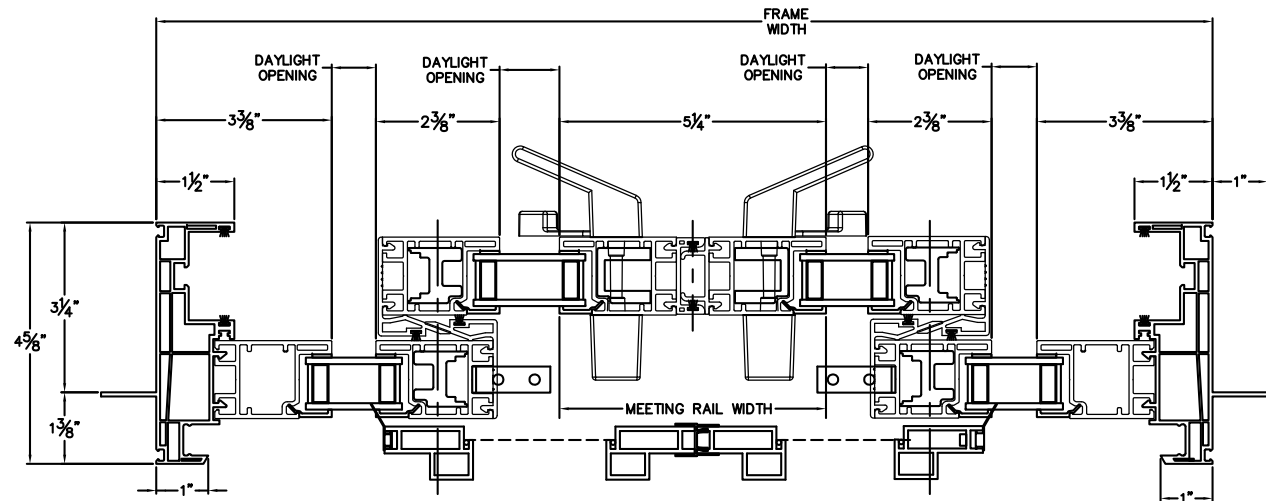
Revision  
07/2018

More Technical Documents can be found at [milgard.com/professionals](http://milgard.com/professionals)  
 Due to continual research and development, details may be changed at any time. ©2018 Milgard Mfg.

**SLIDING DOOR**  
**SERIES 2610**



**HEAD & SILL**



**JAMBS**