

Cross Section Drawing

Trinsic Sliding Door, 4 Panel (OXXO)

1" Fin Set Back



CAD File Scale
NTS

View
Horizontal & Vertical

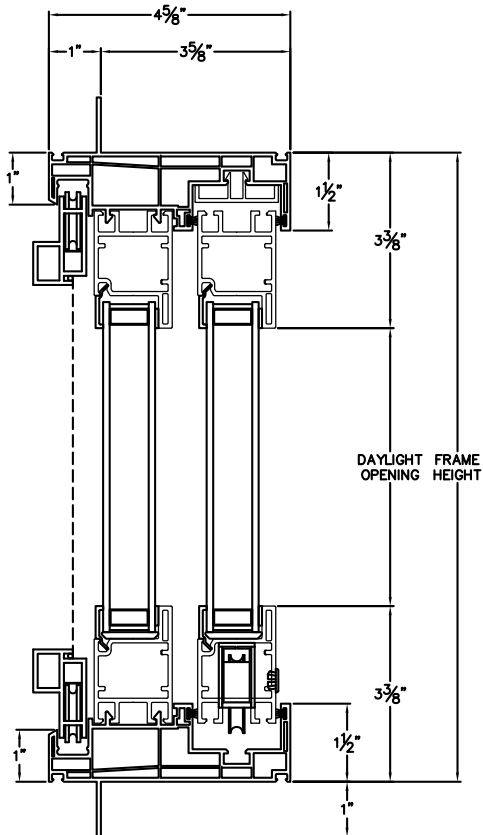
File Name
TRINSIC_2630_SGD_OXXO_1in FIN SET BACK

Units
Inch

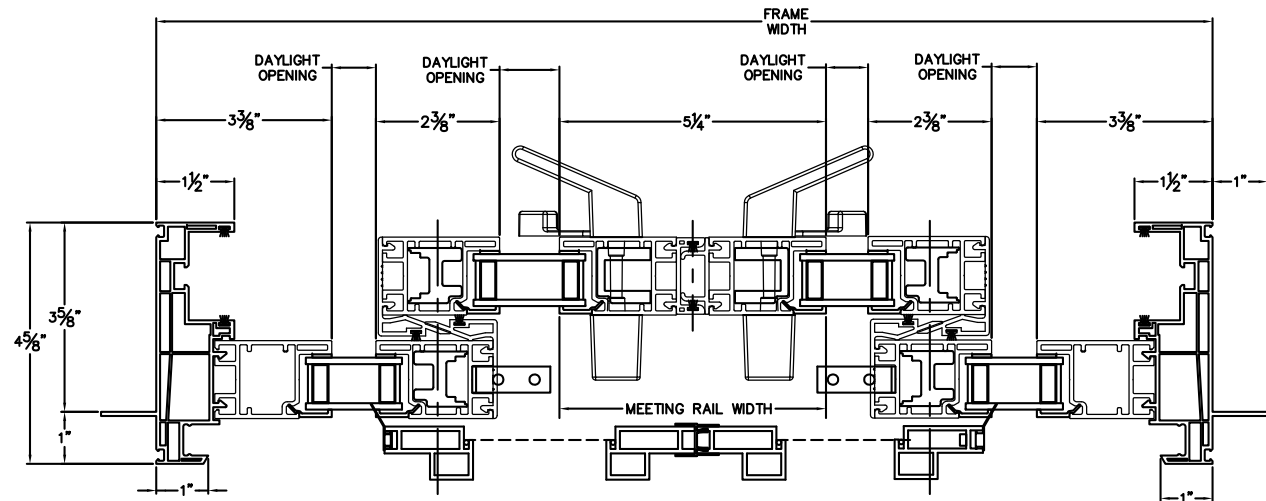
Revision
07/2018

More Technical Documents can be found at milgard.com/professionals
Due to continual research and development, details may be changed at any time. ©2018 Milgard Mfg.

SLIDING DOOR SERIES 2630



HEAD & SILL



JAMBS