

**Cross Section Drawing**  
**Trinsic Sliding Door, 3 Panel (XOO/OOX)**  
**1 " Fin Set Back Frame**



CAD File Scale  
NTS

View  
Horizontal & Vertical

File Name  
Trinsic\_2630\_SGD\_XOO\_1in FIN SET BACK

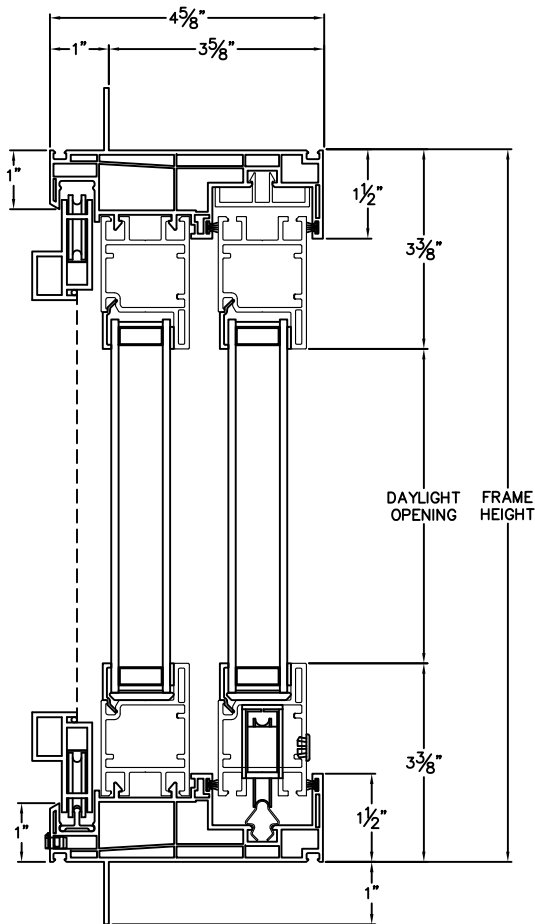
Units  
Inch

Revision  
04/2018

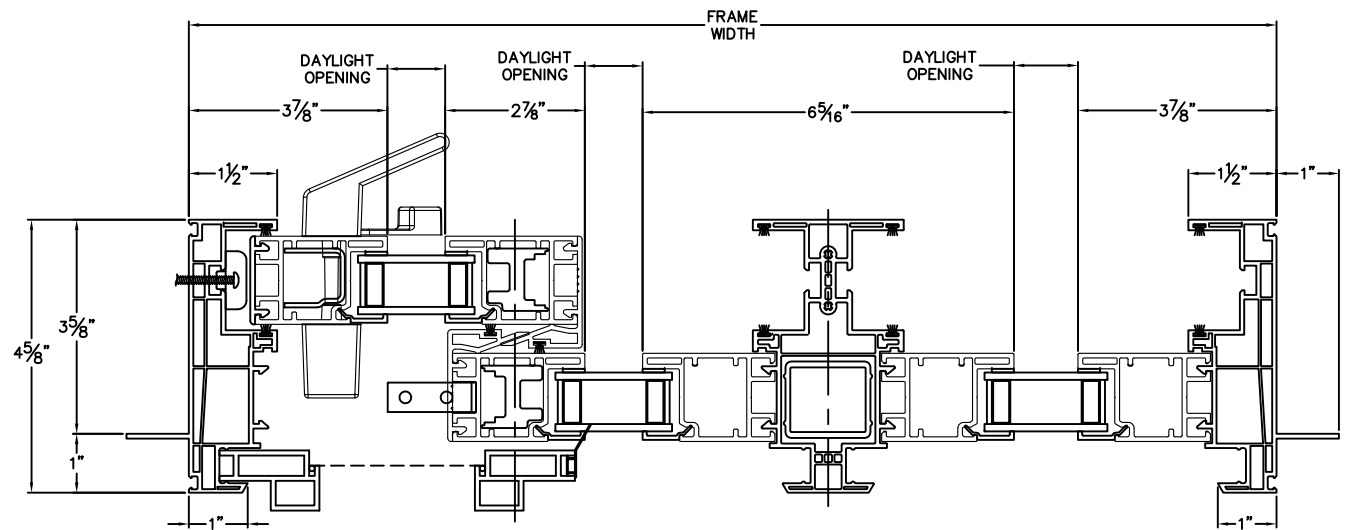
More Technical Documents can be found at [milgard.com/professionals](http://milgard.com/professionals)  
 Due to continual research and development, details may be changed at any time. ©2018 Milgard Mfg.

**SLIDING DOOR**  
**SERIES 2630**

XOO Configuration shown  
 OOX Configuration also available



**HEAD & SILL**



**JAMBS**