

Cross Section Drawing
Trinsic Sliding Door, 2 Panel (XO/OX)
2 1/4" Contour Z-Bar



CAD File Scale
NTS

View
Horizontal & Vertical

File Name
TRINSIC_2670_SGD_XO_2.25 In CONTOUR Z-BAR

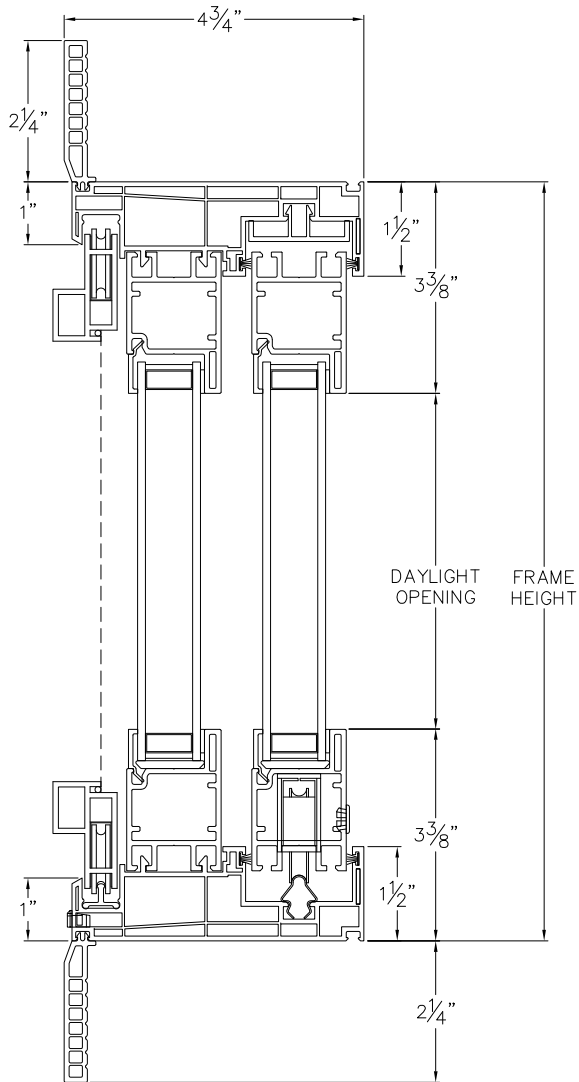
Units
Inch

Revision
04/2018

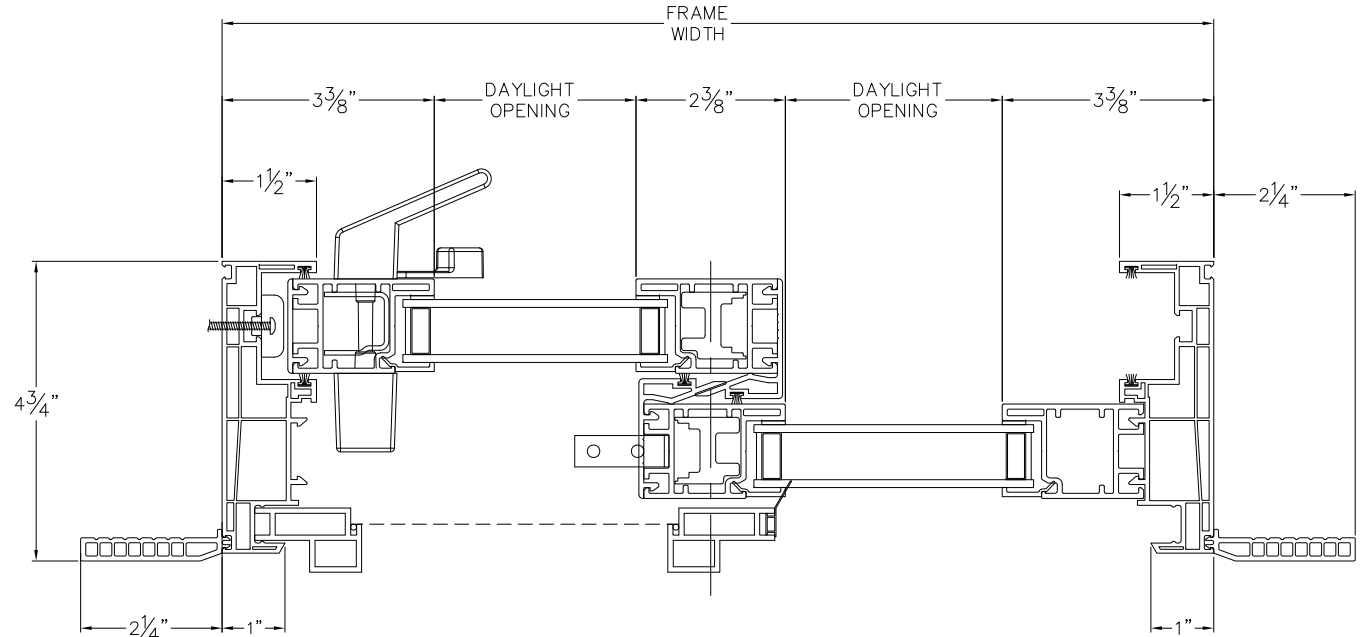
More Technical Documents can be found at milgard.com/professionals
 Due to continual research and development, details may be changed at any time. ©2018 Milgard Mfg.

SLIDING DOOR
SERIES 2670

XO Configuration Shown
 OX Configuration also available



HEAD & SILL



JAMBS