

**Cross Section Drawing**

**Ultra Low Sill Outswing Door, AP/PA Configuration  
1 3/8" Nailfin Setback**



*Clearly the best.™*

CAD File Scale  
NTS

View  
Horizontal & Vertical

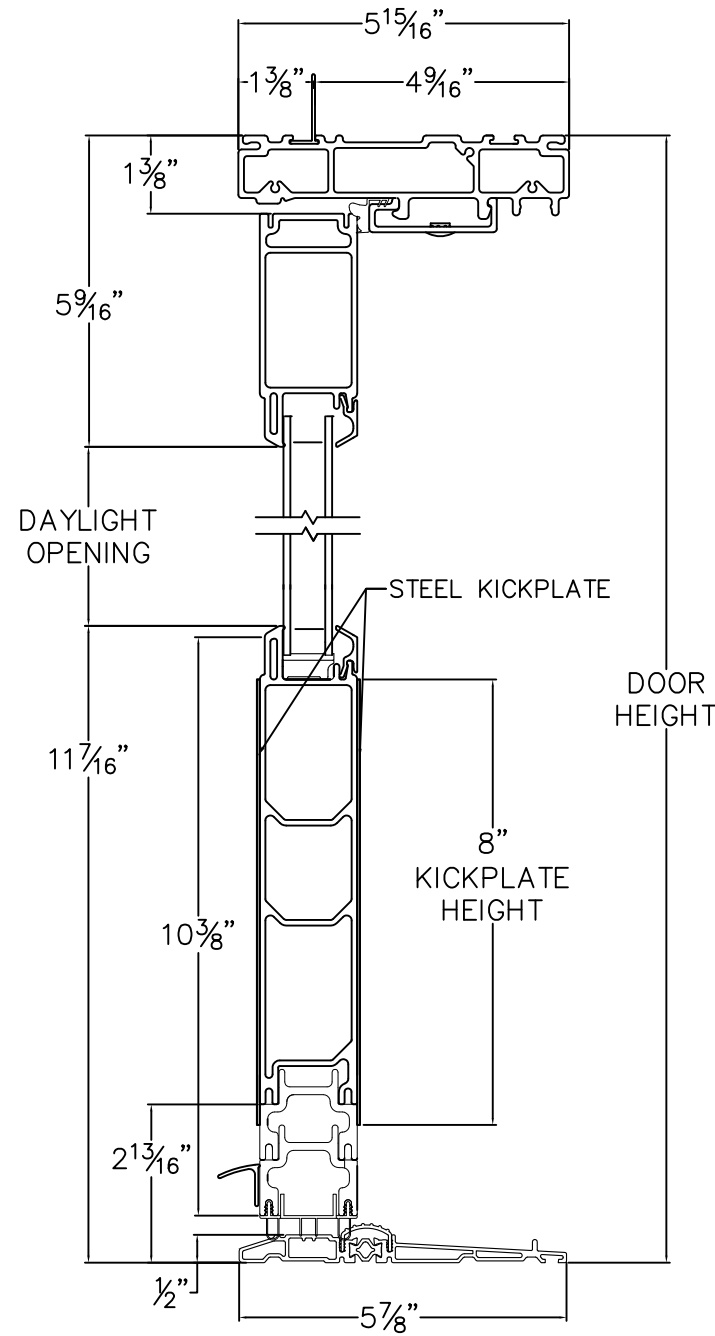
File Name  
Ultra\_3945U\_OS\_low\_sill\_ADA\_AP\_1.375in

Units  
Inch

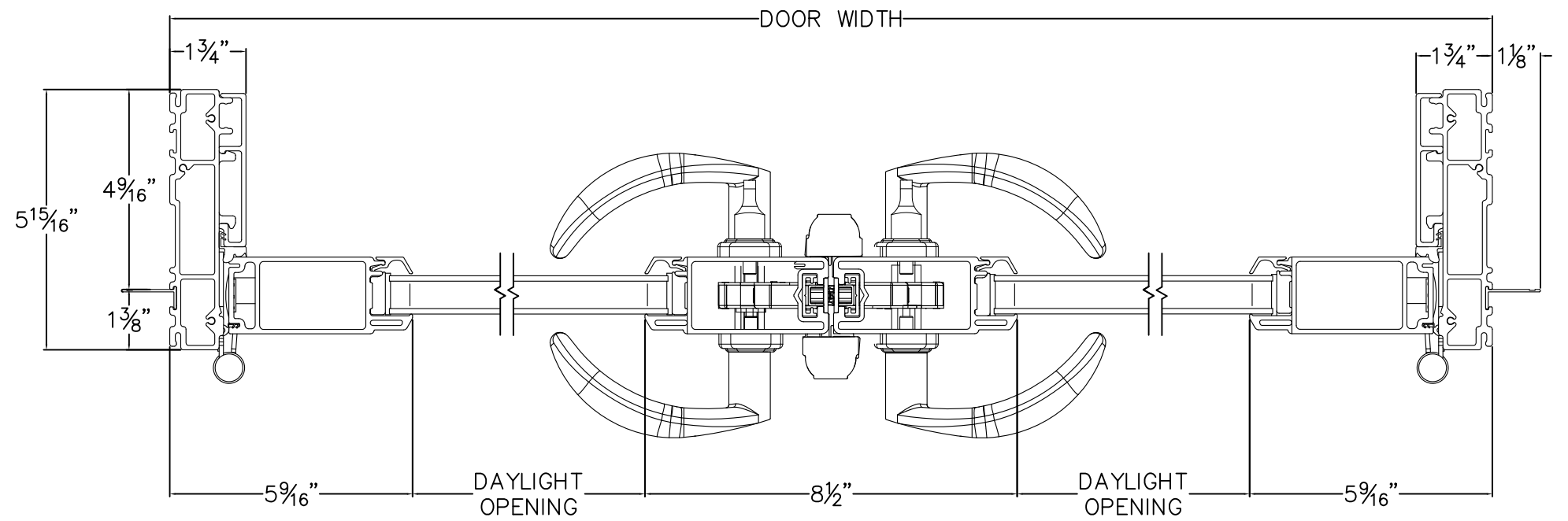
More Technical Documents can be found at [milgard.com/professionals](http://milgard.com/professionals)  
Due to continual research and development, details may be changed at any time. ©2013 Milgard Mfg.

**OUTSWING DOOR  
SERIES 3945U**

Shown with ADA Compliant Handle



**HEAD & SILL**



**JAMBS**