

**Cross Section Drawing**  
**V150 Sliding Door**  
**1<sup>3</sup>/<sub>8</sub>" NailFin Setback Frame**



*Clearly the best.™*

CAD File Scale  
NTS

View  
Horizontal & Vertical

File Name  
V150\_2610B\_SGD\_XO\_1.375in

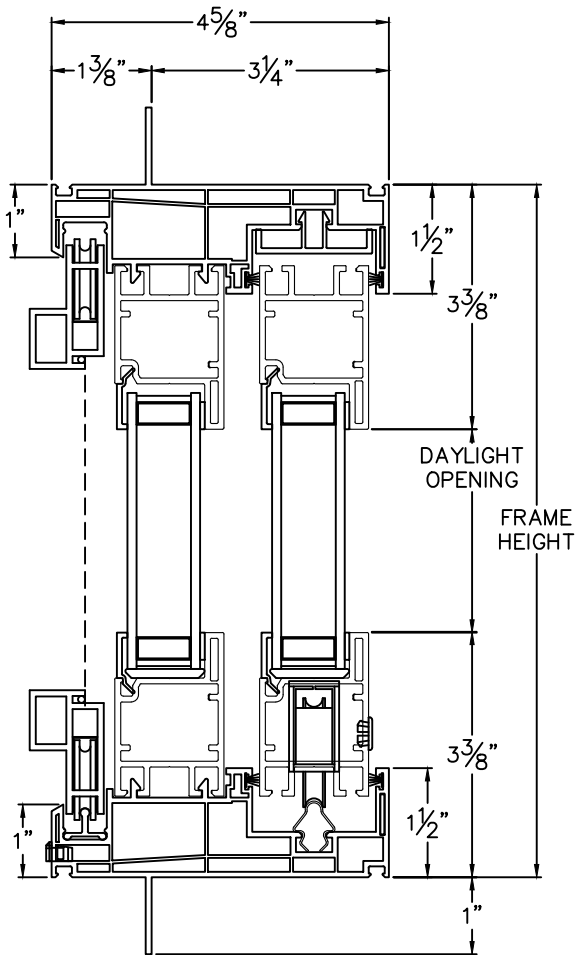
Units  
Inch

Revision  
7/2021

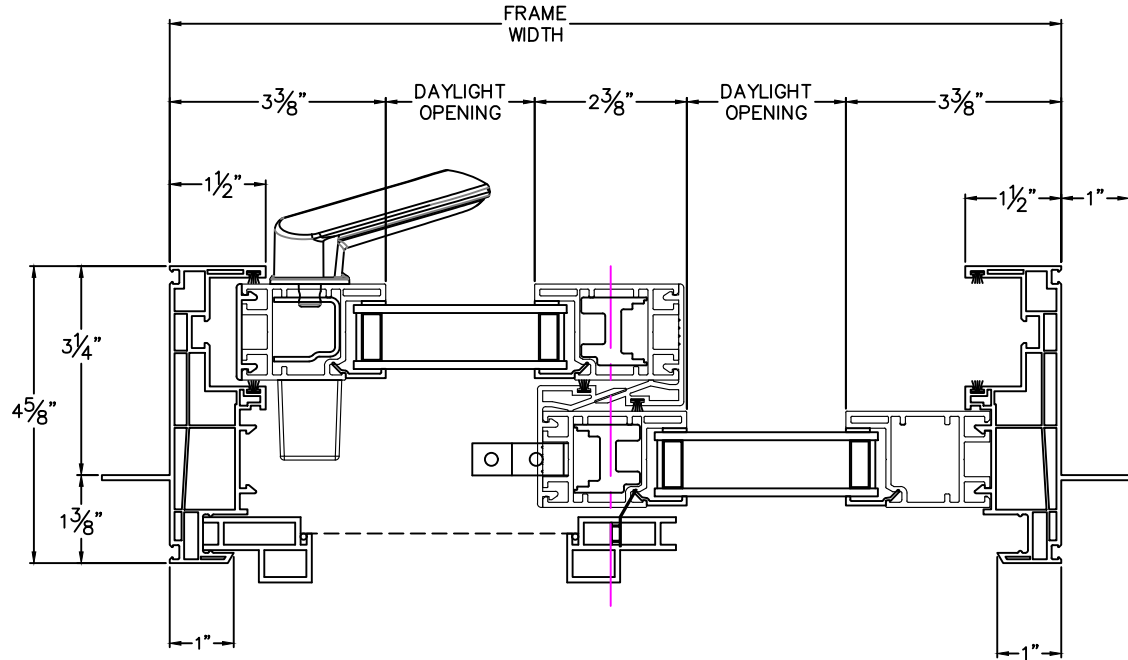
More Technical Documents can be found at [milgard.com/professionals](http://milgard.com/professionals)  
 Due to continual research and development, details may be changed at any time. ©2021 Milgard Mfg.

**SLIDING DOOR**  
**SERIES 2610B**

Configuration XO shown  
 Configuration OX also available



**HEAD & SILL**



**JAMBS**